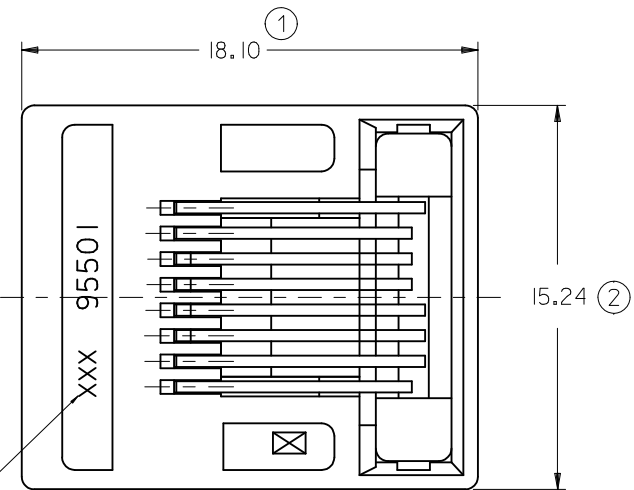


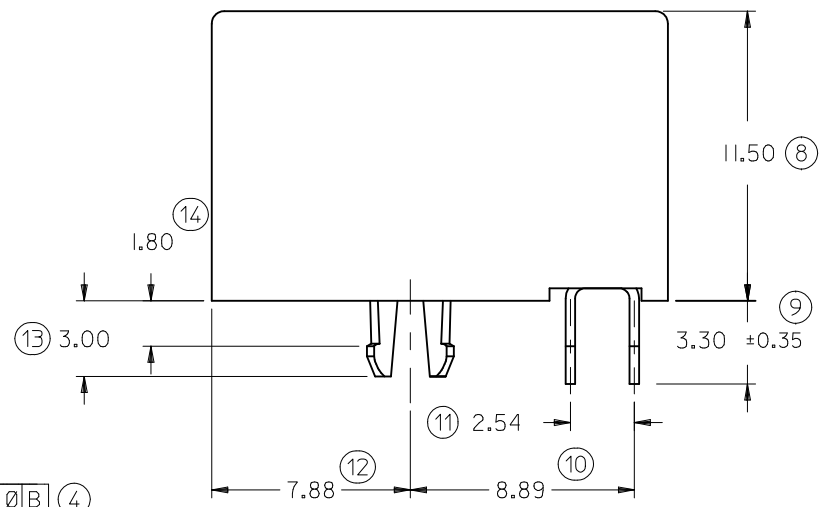
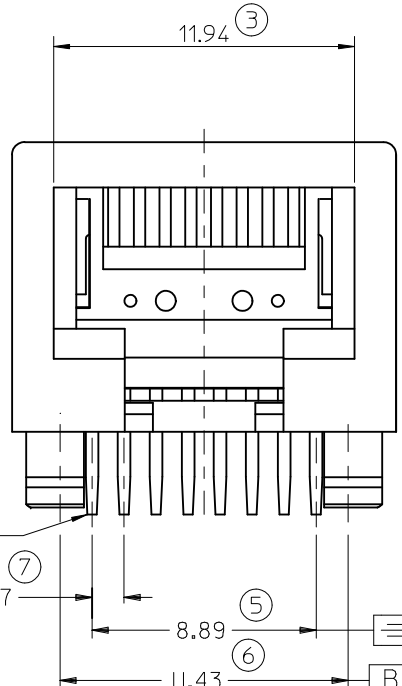
NOTES:

- 1- MATERIAL:
 -HOUSING: LCP FIBER GLASS FILLED UL 94-V0, COLOR BLACK.
 -TERMINAL: PHOSPHOR BRONZE.
 BASE FINISH: NICKEL
 CONTACT SURFACE FINISH:
 GOLD
 OR
 GOLD FLASH OVER PALLADIUM NICKEL.
 EXCEEDS PRODUCT REQUIREMENTS BASED ON PS-85503-001
- 2- JACK FOR MATING WITH F.C.C.68 PLUGS (90075 MOLEX SERIES).
 3- PRODUCT SPECIFICATION PS-85503-001
 4- APPLICATION SPECIFICATION AS-85513-001
 5- PACKAGING SPECIFICATION PK-95001: STANDARD PACKAGING SHEET I.
 6- EXCEEDS CATEGORY 5E PERFORMANCE.
 7- PC BOARD THICKNESS: 1.57
 8- CONVECTION SOLDERING DIA 3.25±0.05,
 WAVE SOLDERING DIA 3.2±0.1
 9- MANUFACTURING I.D. CAN BE MXF, MG OR MXI.
 LAST INSPECTION NUMBER: 14

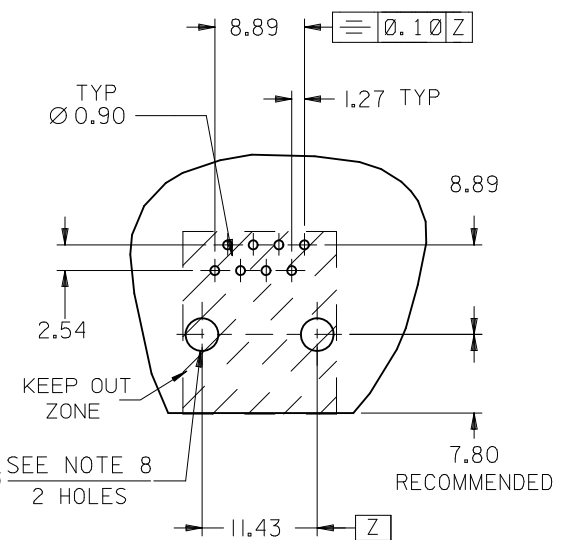
MATERIAL No.
85503-5001



NOTE 9



P.C.B. MOUNTING PATTERNS
 (SEE FROM COMPONENT SIDE)
 SCALE 2:1



REMOVED PART MODIFIED NOTES EC NO: IPG2012-0604 DRAWN: DBYRNES 2012/03/30 CHKD: SMC GREVY 2012/04/02 APPR: EFOLAN 2012/06/26	QUALITY SYMBOLS	GENERAL TOLERANCES (UNLESS SPECIFIED)		DIMENSION STYLE MM ONLY		SCALE 5:1	DESIGN UNITS METRIC	THIRD ANGLE PROJECTION	
	$\nabla = 0$ $\sphericalangle = 0$	mm	INCH	DRAWN BY TMARTIN	DATE 2005/03/08	TITLE HIGH SPEED MODULAR JACK RIGHT ANGLE LOW PROFILE THROUGH HOLE 8 CIRCUIT			
	4 PLACES	± ---	± ---	CHECKED BY FCARABETTA	DATE 2005/03/08	MOLEX INCORPORATED			
	3 PLACES	± ---	± ---	APPROVED BY KNOLLER	DATE 2005/03/08	DOCUMENT NO. SD-85503-101			
	2 PLACES	± 0.15	± ---	MATERIAL NO. SEE TABLE		SHEET NO. 1 OF 1			
	1 PLACE	± 0.25	± ---	DRAFT WHERE APPLICABLE MUST REMAIN WITHIN DIMENSIONS		THIS DRAWING CONTAINS INFORMATION THAT IS PROPRIETARY TO MOLEX INCORPORATED AND SHOULD NOT BE USED WITHOUT WRITTEN PERMISSION			
	ANGULAR ± 1/2°		SIZE A3						

ALL DIMENSIONS REF DIMENSIONS