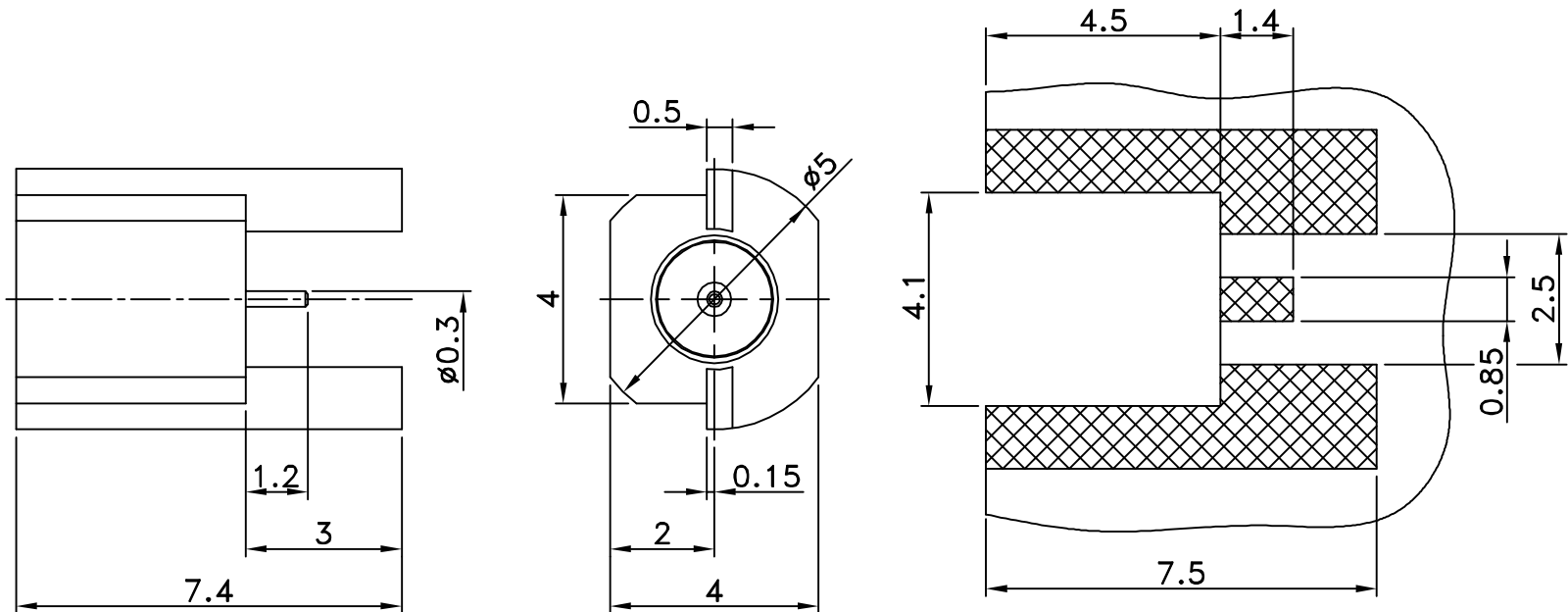


REV	DESCRIPTION\PER REQUEST	DRAWN	DATE

Frequency:0~40GHz
VSWR:1.2 Max.



RECOMMENDED MOUNTING PATTERN

NOTES: FINISH (PLATING THICKNESS IN MICRO-INCHES)
 1.GOLD PL. 3 MIN. THICK OVER NICKEL PL. 70 MIN. THICK OVER COPPER STRIKE
 2.GOLD PL. 5 MIN. THICK OVER NICKEL PL. 70 MIN. THICK OVER COPPER STRIKE

NO	Description	Q'ty	Material	Finish	PART NO.	* MAJOR DIMENSION	Bomar Interconnect Products, Inc	
3	Dielectric	1	Teflon	None	2062EL10104	UNLESS OTHERWISE NOTED TOLERANCES 0.5-6=±0.2 6-30=±0.4 30-120=±0.6 120-315=±1.0 ANGLES=±1°	TITLE	
2	Pin	1	Beryllium	NOTE 2			APPROVED DATE 09/11/12	SMP SMT END LAUNCH PLUG(Limited Detent)
1	Body	1	Brass	NOTE 1	CHECKED DATE 09/11/12	SCALE 8/1 UNIT mm	DRAWING NO.	REV B
NO	Description	Q'ty	Material	Finish	DRAWN Kai DATE 09/11/12		ASSMP-43003-TGG	FILE NO. W:\AS\ASSMP\ASSMP-43003-TGG Bomar->20120911