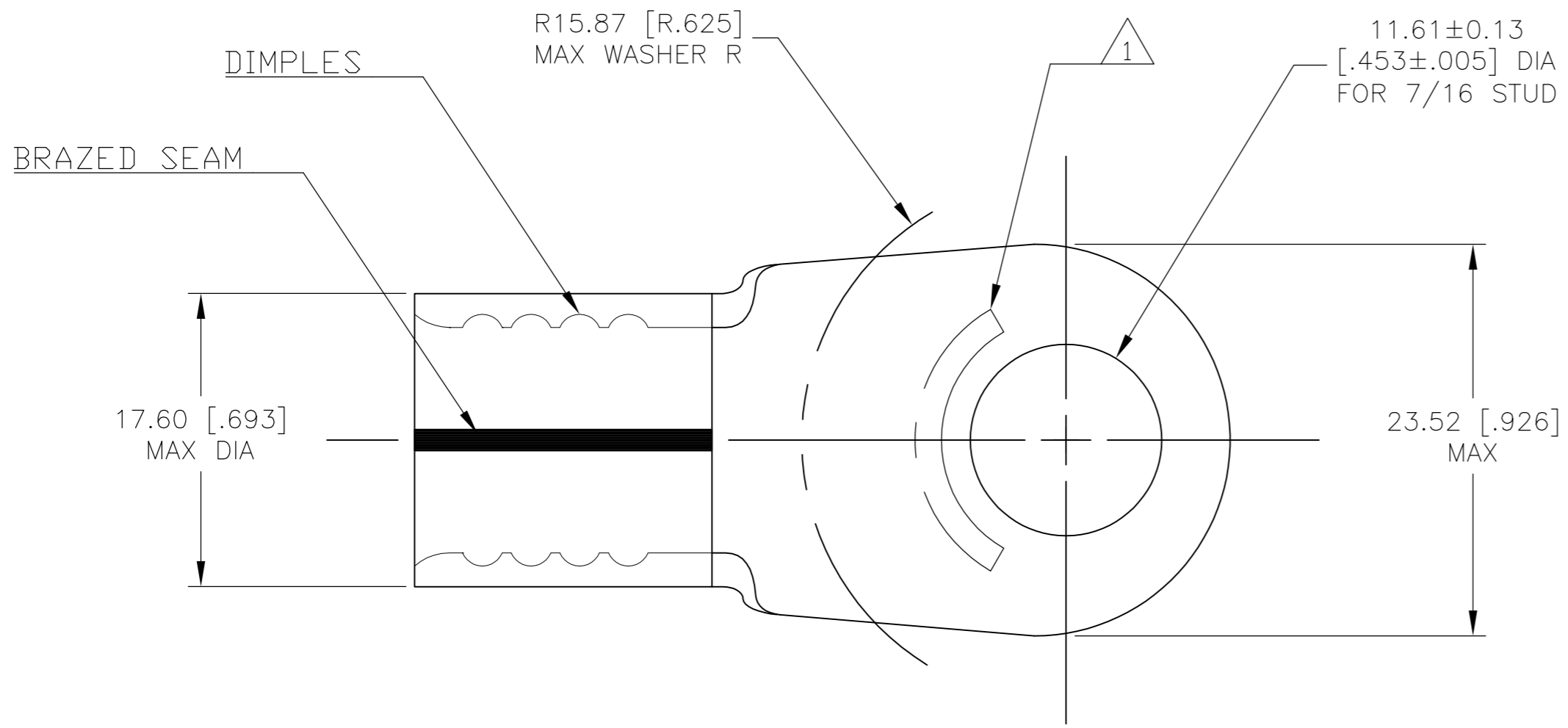


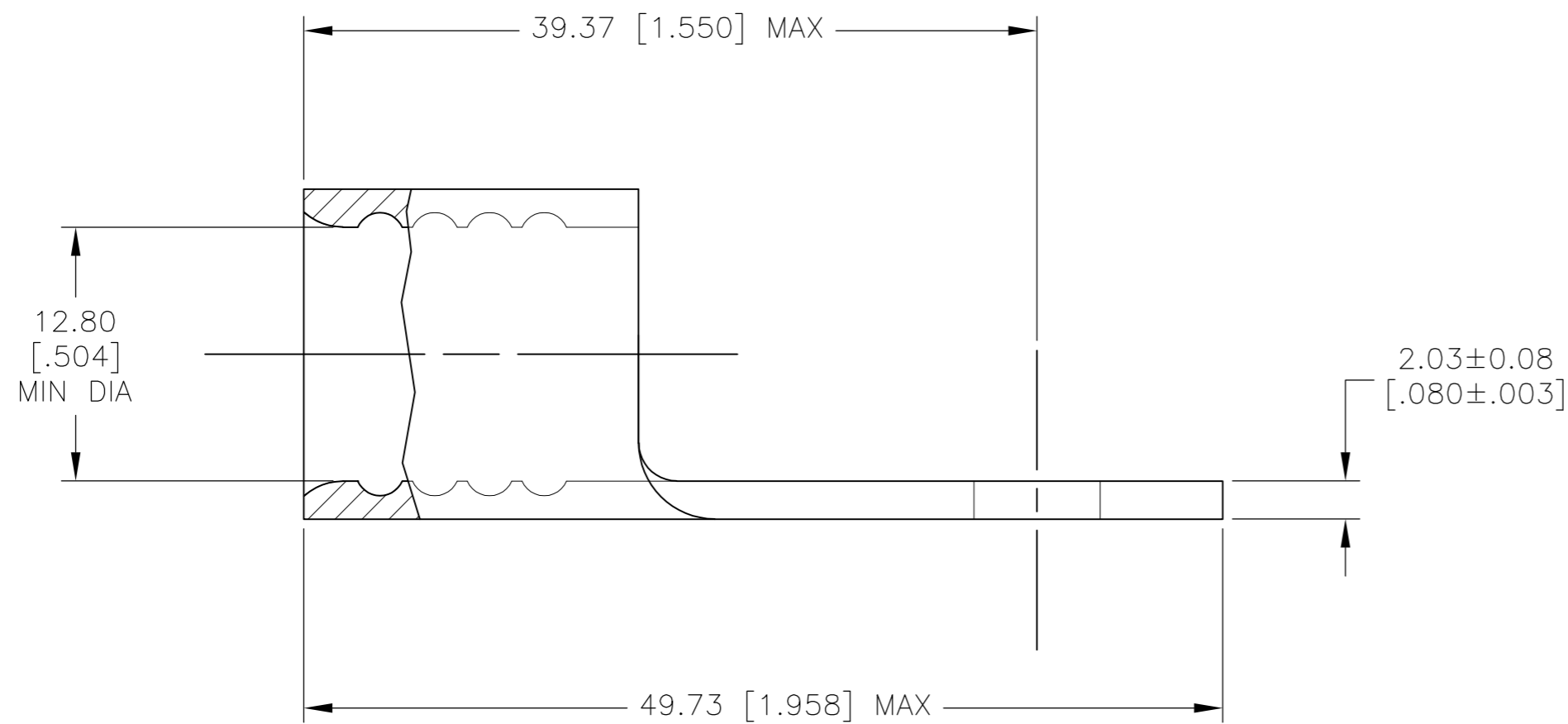
THIS DRAWING IS UNPUBLISHED. RELEASED FOR PUBLICATION
 © COPYRIGHT BY TYCO ELECTRONICS CORPORATION. ALL INTERNATIONAL RIGHTS RESERVED.

LOC	DIST	REVISIONS					
		P	LTR	DESCRIPTION	DATE	DWN	APVD
G	14	F		REV PER ECR 10-000722	22JAN10	JR	TM



AMP WIRE RANGE	Listed FILE E13288
2/0 AWG SOLID OR STRANDED	2/0 AWG STRANDED
LR7189 Certified	MILITARY P/N AND CLASS
2/0 AWG SOLID OR STRANDED	MS 20659-154 CLASS 2

- 1 STAMP AMP 2/OW* APPROX AS SHOWN
- 2 COPPER PER ASTM B-152, ANNEALED
- 3 TIN PLATE 0/00254 [.000100] MIN EXT THK PER ASTM B-545



50	LOOSE PIECE	321872
QTY	PACKAGE TYPE	PART NO.

MAX RECOMMENDED OPERATING TEMPERATURE: 170°C MAX	THIS DRAWING IS A CONTROLLED DOCUMENT.		DWN DK SCHRUM 1/14/94	Tyco Electronics Corporation Harrisburg, PA 17105-3608
	VOLTAGE RATING: N/A	DIMENSIONS: MM [INCHES]	TOLERANCES UNLESS OTHERWISE SPECIFIED:	
CIRCULAR MIL AREA: 60.6-76.3mm² [119,500-150,500] SOLID OR STRANDED			0 PLC ± -	APVD JL MECKLEY 1/19/94
	MATERIAL		FINISH	NAME
		1 PLC ± -	PRODUCT SPEC	TERMINAL, RING TONGUE, SOLISTRAND
		2 PLC ± 0.20[.008]	APPLICATION SPEC	SIZE CAGE CODE DRAWING NO RESTRICTED TO
		3 PLC ± -	WEIGHT	A2 00779 C=321872
		4 PLC ± -	CUSTOMER DRAWING	SCALE 2:1 SHEET 1 of 1 REV F
		ANGLES ± -		