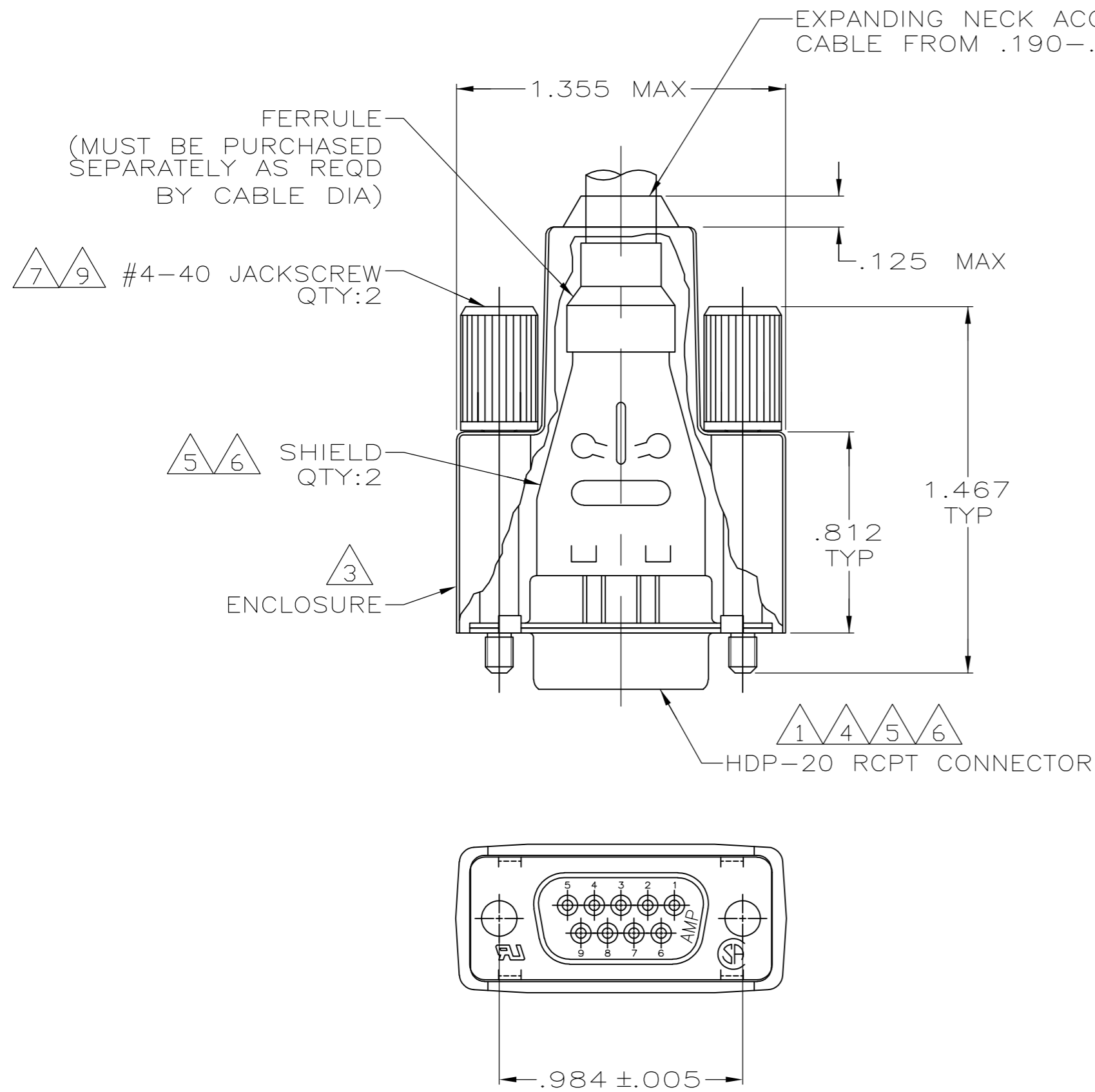


THIS DRAWING IS UNPUBLISHED. RELEASED FOR PUBLICATION
 © COPYRIGHT - By - ALL RIGHTS RESERVED.

LOC	DIST	REVISIONS					
GP	00	P	LTR	DESCRIPTION	DATE	DWN	APVD
		R		REVISED PER ECO-11-006475	18OCT2011	CJV	CWR



- 1 RECEPTACLE ACCEPTS SIZE DF SOCKET CONTACTS. CONTACTS MUST BE PURCHASED SEPARATELY.
- 2. ALL PARTS SHIPPED UNASSEMBLED.
- 3 STYRENE POLYOLEFIN OR PVC, 94V-0 RATED, FLAME RETARDANT, BLACK.
- 4 NYLON OR POLYESTER, 94V-0 RATED, GLASS FILLED, FLAME RETARDANT, BLACK.
- 5 STEEL PER ASTM A109.
- 6 .000200 MIN TIN PLATE OVER .000100 MIN COPPER UNDERPLATE.
- 7 ELECTRODEPOSITED POLYURETHANE, BLACK.
- 8 COMPONENTS INDIVIDUALLY BULK PACKED.
- 9 ZINC ALLOY.

8	W/LOGO	1658654-1
PACKAGING	REMARKS	PART NUMBER

THIS DRAWING IS A CONTROLLED DOCUMENT.		DWN	J.REITZEL	31JUL03	 TE Connectivity			
DIMENSIONS: INCHES		CHK	S.BOLASH	31JUL03				
TOLERANCES UNLESS OTHERWISE SPECIFIED:		APVD	M.WALMSLEY	31JUL03				
0 PLC ± - 1 PLC ± - 2 PLC ± - 3 PLC ± .020 4 PLC ± - ANGLES ± - FINISH		PRODUCT SPEC	108-40030	NAME				
MATERIAL		APPLICATION SPEC	114-40030	SIZE	BULK KIT, RECEPTACLE, SHIELDING ENCLOSURE, SIZE 1, 9 POSN, AMPLIMITE™ HDP-20			
3 4 5 9		WEIGHT	-	CAGE CODE				
6 7		CUSTOMER DRAWING	SCALE	2:1	SHEET	1 of 1	REV	R

1658654