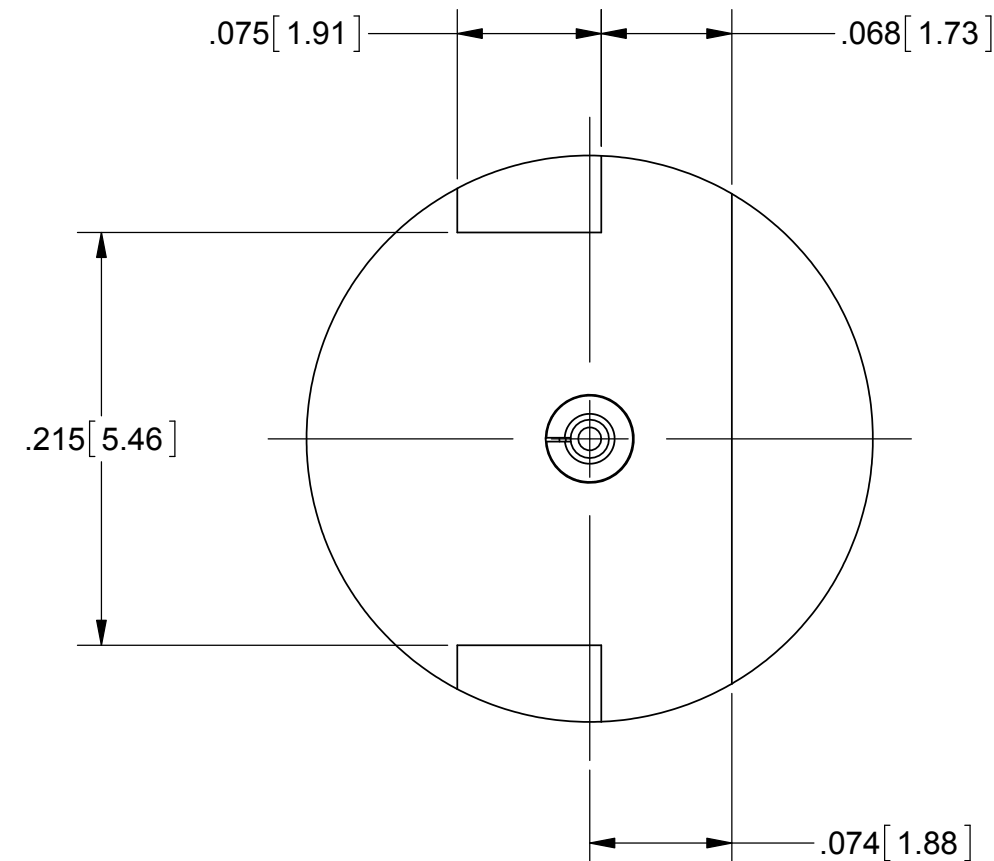
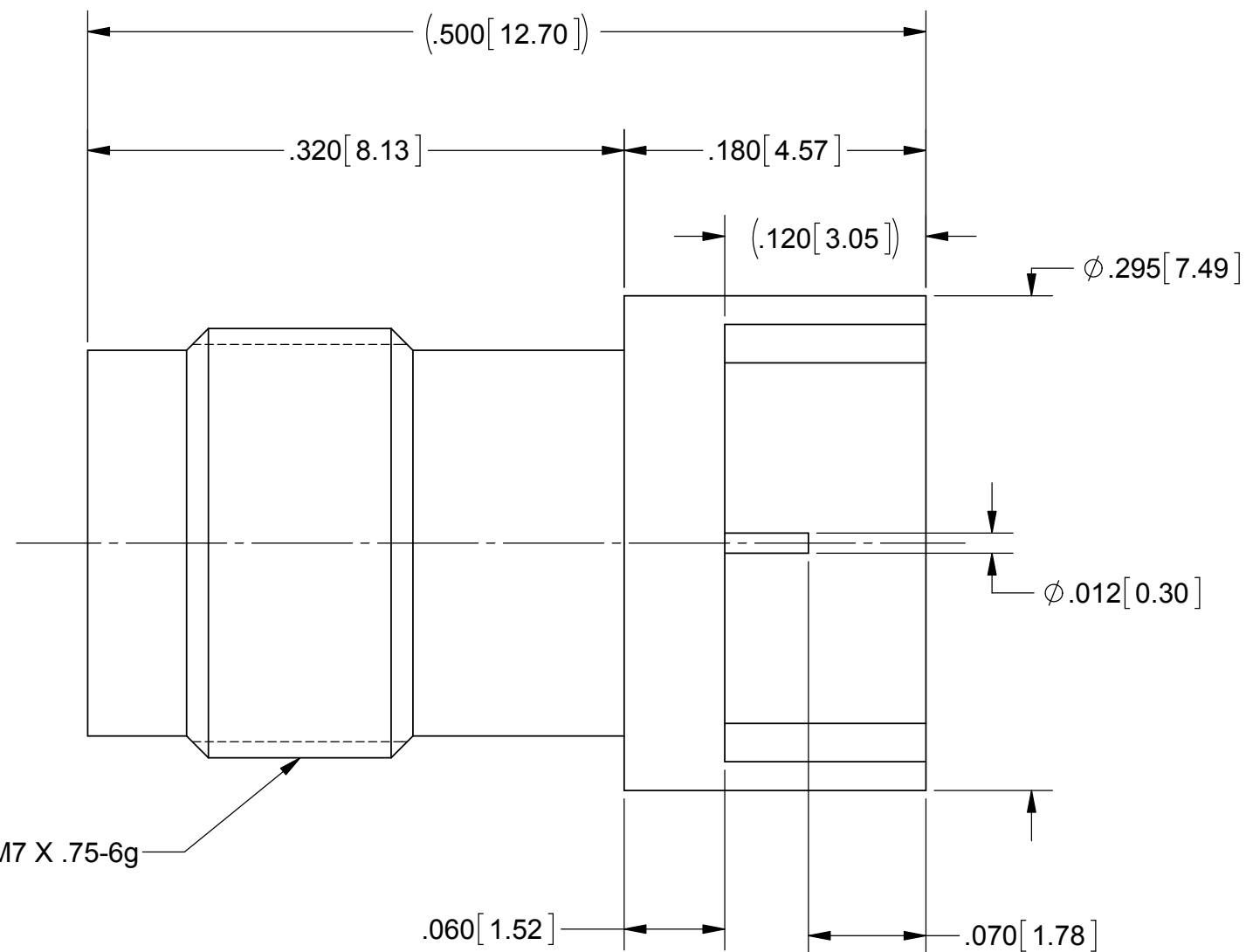
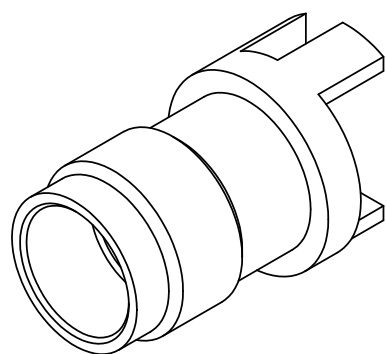


PRODUCT DATA DRAWING

REVISION HISTORY			
REV	DESCRIPTION	DATE	APPROVED
01	PRELIMINARY	02/12	STW
-	RELEASE	01/13	PJS
A	DCN 39649	02/13	STW



MATERIAL:

BODY & INSERT: STAINLESS STEEL PER AMS-5640, ALLOY UNS S30300, TYPE 1

CONTACT: BERYLLIUM COPPER PER ASTM B196, ALLOY No. UNS C17300, TD04

INSULAOTR: PCTFE PER ASTM D1430

FINISH:

BODY, INSERT & CONTACT: GOLD PER ASTM B 488, TYPE II, CODE C, CLASS 1.27, OVER NICKEL PER AMS-QQ-N-290, CLASS 1, .00005" MIN.

PERFORMANCE:

FREQ. RANGE: DC TO 65.0 GHz
VSWR: 1.33:1 MAX. DC TO 65.0 GHz.

MATERIAL:	SEE NOTES
FINISH:	SEE NOTES
SURFACE AREA:	N/A
PROPRIETARY	
THE INFORMATION CONTAINED IN THIS DRAWING IS THE SOLE PROPERTY OF SV MICROWAVE, INC. ANY REPRODUCTION IN PART OR AS A WHOLE WITHOUT THE WRITTEN PERMISSION OF SV MICROWAVE, INC IS PROHIBITED.	

DIMENSIONS ARE IN INCHES TOLERANCES:	
FRACTIONAL: $\pm 1/64$	ANGULAR: X° $\pm 1'0''$ X°X' $\pm 15''$
DECIMAL: X $\pm .030$.XX $\pm .010$.XXX $\pm .005$	
INTERPRET DIMENSIONS AND TOLERANCES PER ASME Y14.5M - 1994	
THIRD ANGLE PROJECTION	

UNLESS OTHERWISE SPECIFIED	
1) ALL DIMENSIONS ARE IN INCHES (MILLIMETERS) 2) ALL DIMENSIONS ARE AFTER PLATING. 3) BREAK CORNERS & EDGES .005 R. MAX. 4) CHAM. 1ST & LAST THREADS. 5) SURFACE ROUGHNESS 63-MIL-STD-10. 6) DIA. 'S ON COMMON CENTERS TO BE CONCENTRIC WITHIN .005 T.I.R. 7) REMOVE ALL BURRS	
DRAWN:	FSG 02/10/12
CHECKED:	STW 02/10/12
APPROVED:	STW 02/10/12

SV Microwave, Inc.		
2400 Centrepark West Drive, Suite 100 West Palm Beach, FL 33409		
TITLE: 1.85 MM JACK PCB MOUNT Ø.012 PIN FOR .062" PCB		
SIZE	CAGE CODE	DWG. NO.
B	95077	3321-60001
SCALE: 4:1		SHEET 1 OF 1