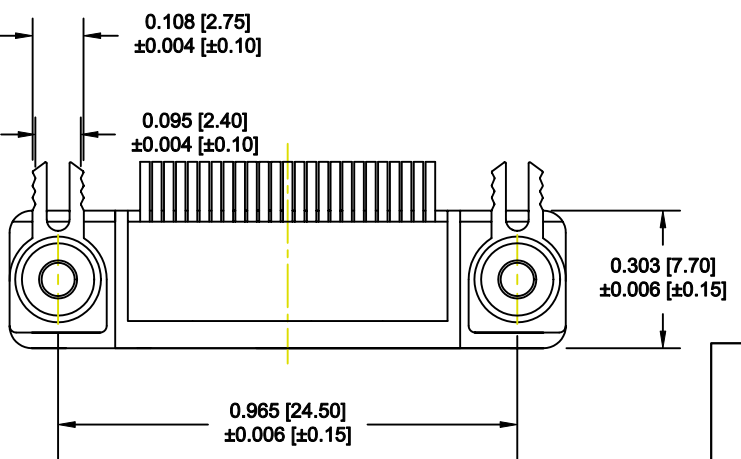
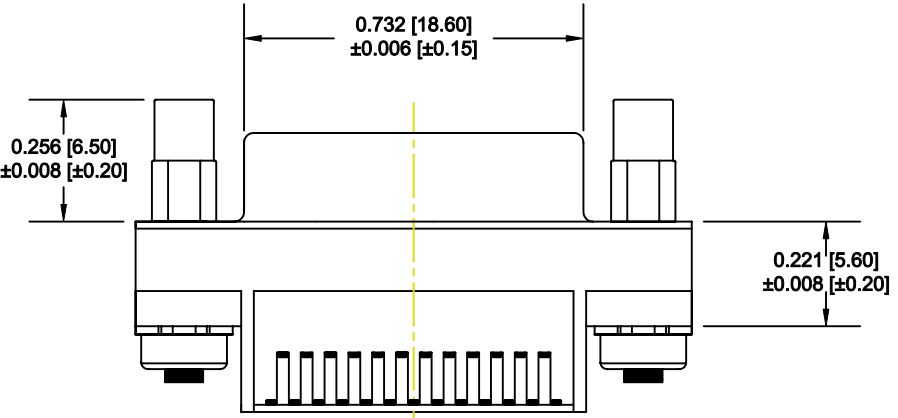
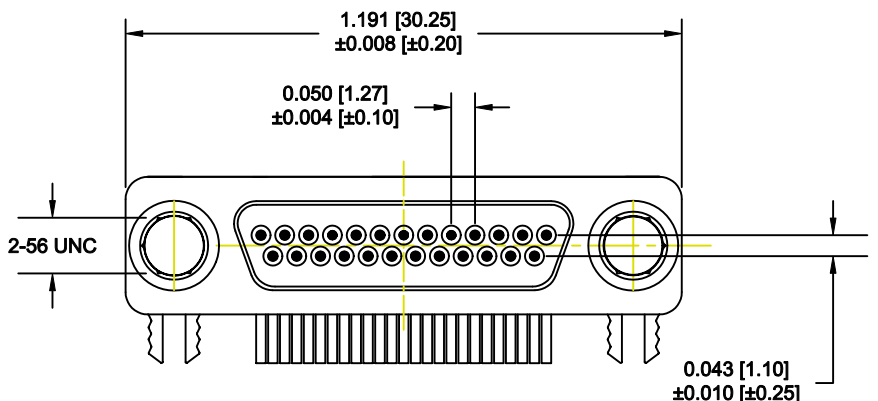


DESCRIPTION: MICRO D-SUB CONNECTOR - MALE - RIGHT ANGLE



ELECTRICAL

- CONTACT CURRENT RATING: 1 AMP
- DIELECTRIC WITHSTANDING VOLTAGE: 500 VAC
- INSULATION RESISTANCE: 1000 MOhms MIN.
- CONTACT RESISTANCE: 45 MILLI Ohms MAX.
- OPERATING TEMPERATURE: -55°C TO +85°C

MATERIALS

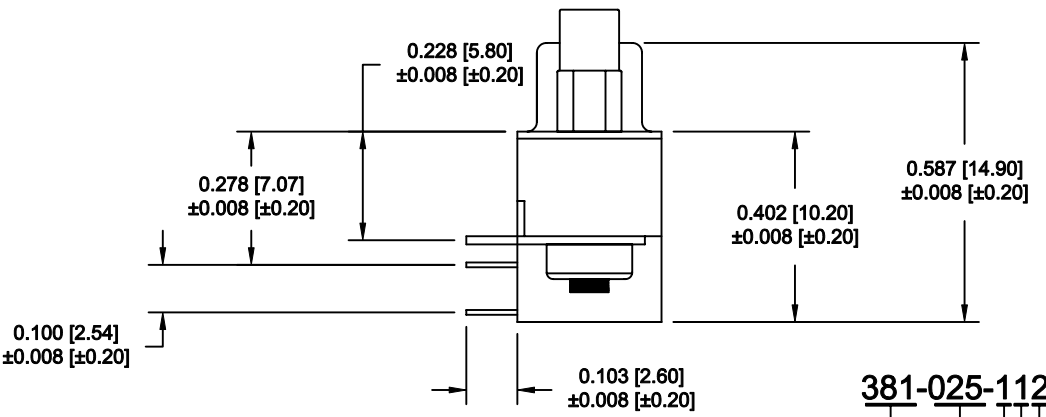
- CONTACTS: COPPER ALLOY
- INSULATOR: THERMOPLASTIC 94V-0
- SHELL: COLD ROLLER STEEL

FINISHES

- CONTACT: 15 μ" MIN. GOLD ON MATING END
TIN ON TERMINATION END
ALL UNDERPLATING NICKEL
- SHELL: BRIGHT TIN OVER COPPER

HARDWARE

2-56 THREADED STANDOFF
2.5 IN-LBS TORQUE MAX.



381-025-112L5Y5

- SERIES
- POSITIONS
- GENDER
1 = MALE
- TERMINATION
1 = DIP SOLDER
- SHELL PLATING
2 = TIN
- RoHS COMPLIANT
- HARDWARE OPTIONS
1 = BOARDLOCKS ONLY
6 = STANDOFFS & BOARDLOCKS
- PLATING OPTIONS
5 = 15u" GOLD PLATING

DO NOT SCALE FROM DRAWING

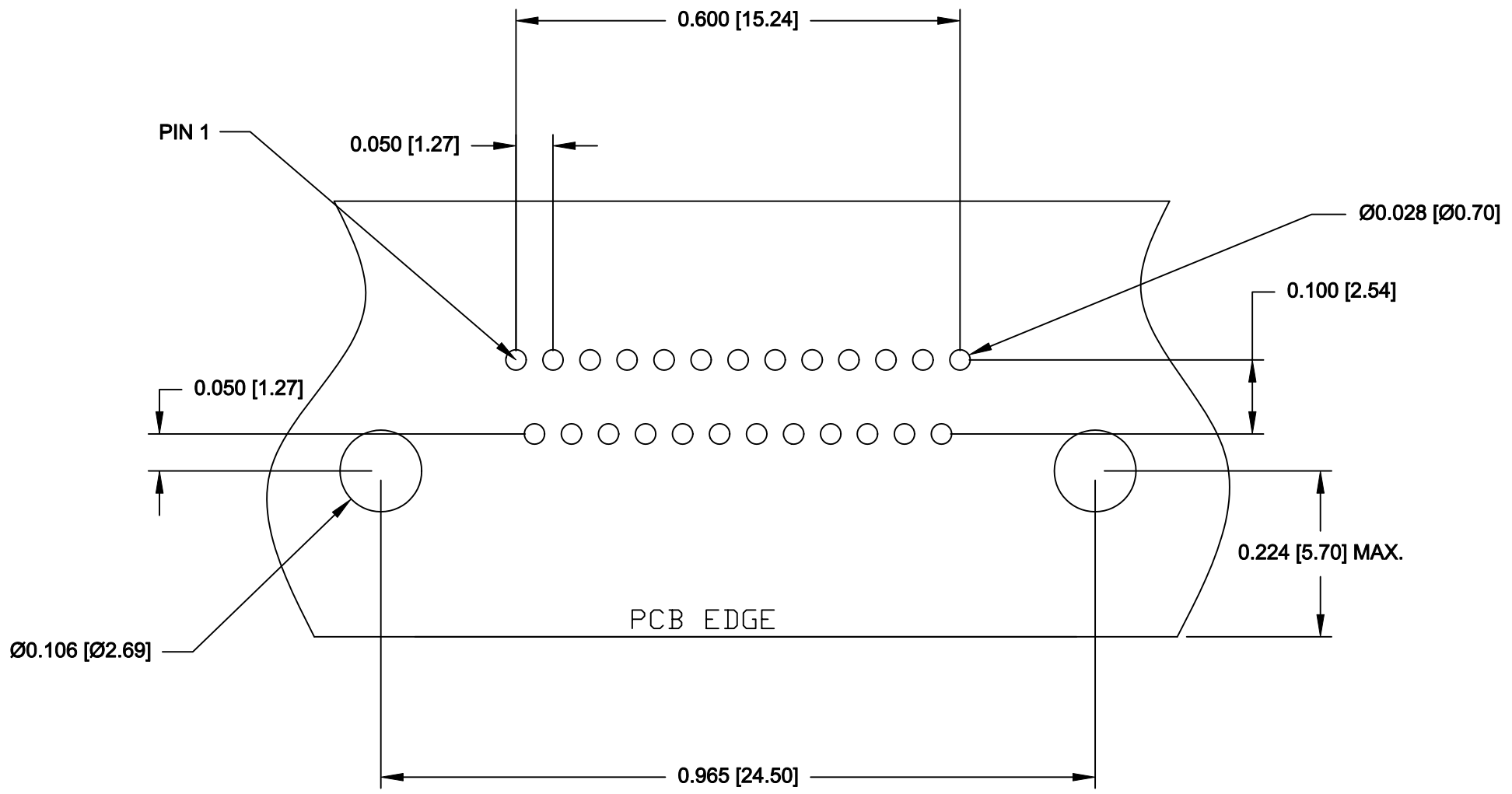


THESE DRAWINGS AND SPECIFICATIONS ARE THE PROPERTY OF NorComp AND SHALL NOT BE REPRODUCED, COPIED OR USED AS THE BASIS FOR THE MANUFACTURE OF SALE OF APPARATUS WITHOUT WRITTEN PERMISSION.

DRAWN: M. SIGMON		DATE: 08-22-11	
CHECKED:		DATE:	
SCALE: 2.5 : 1	SHEET 1	OF 2	REV 2
DWG NO. 381-025-112L565			


RoHS COMPLIANT

NorComp



RECOMMENDED PC BOARD LAYOUT
(25 POSITION ONLY) TOLERANCE ± 0.002 [± 0.05]

DO NOT SCALE FROM DRAWING

	THESE DRAWINGS AND SPECIFICATIONS ARE THE PROPERTY OF NorComp AND SHALL NOT BE REPRODUCED, COPIED OR USED AS THE BASIS FOR THE MANUFACTURE OF SALE OF APPARATUS WITHOUT WRITTEN PERMISSION.		DRAWN: M. SIGMON	DATE: 08-22-11
			CHECKED:	DATE:
<h1>NorComp</h1>		SCALE: 5 : 1	SHEET 2 OF 2	REV 2
		DWG NO. 381-025-112L565		

RoHS COMPLIANT