

THIS DRAWING IS UNPUBLISHED. RELEASED FOR PUBLICATION
 © COPYRIGHT BY TYCO ELECTRONICS CORPORATION. ALL INTERNATIONAL RIGHTS RESERVED.

LOC		DIST		REVISIONS			
P	LTR	DESCRIPTION		DATE	DWN	APVD	
A		REDRAWN PER ECO-10-022823		09NOV10	HMR	NZ	

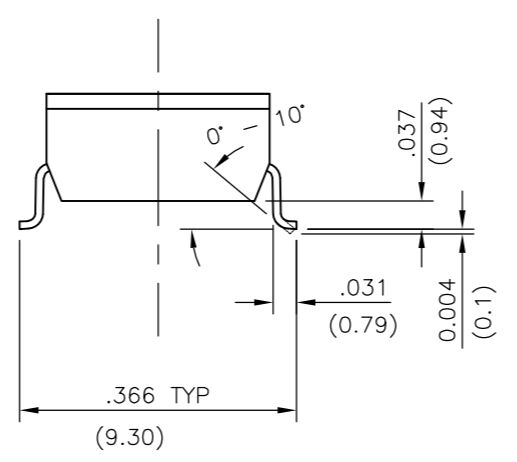
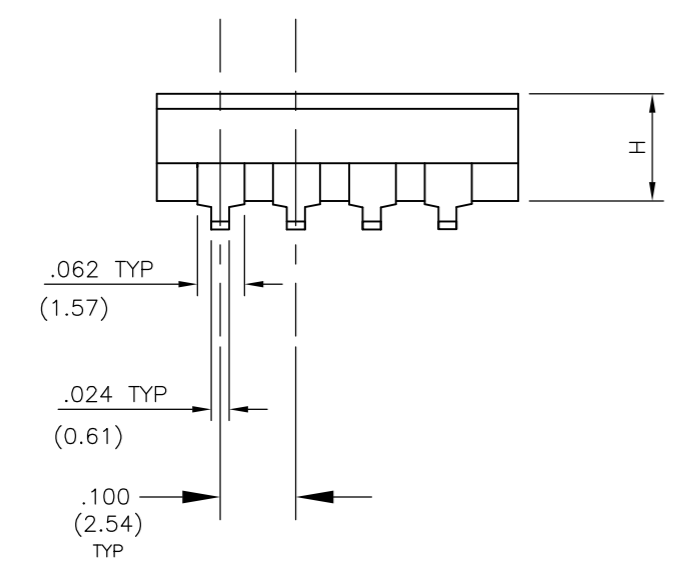
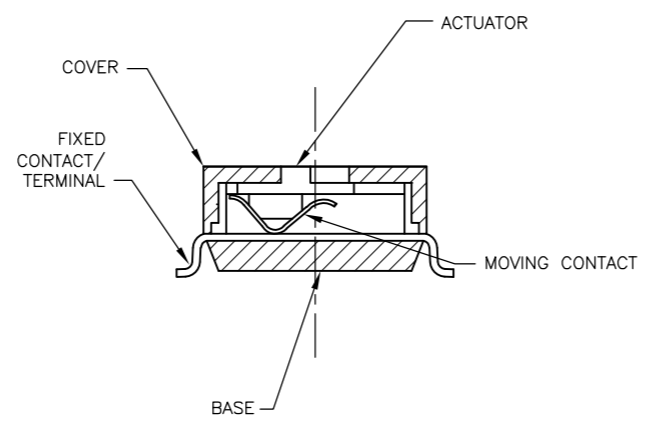
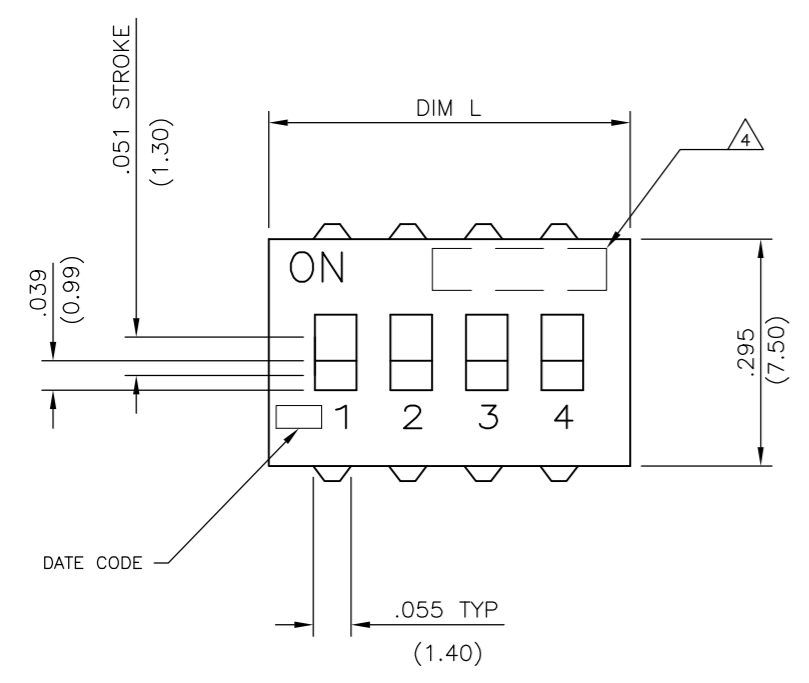
SPECIFICATIONS:

ELECTRICAL
 MAX CONTACT RATING SWITCHING, 100MILLIAMPS @ 24 VDC
 MIN CONTACT RATING SWITCHING, .1MICROAMP @ 1 MILLIVOLT
 MAX CONTACT NON-SWITCHING, 1AMP @ 5 VDC
 INITIAL CONTACT RESISTANCE, 50 MILLIOHMS MAX.
 CONTACT RESISTANCE (AFTER ENVIRONMENTAL TEST), 100 MILLIOHMS
 CONTACT RESISTANCE (AFTER GAS TEST), 300 MILLIOHMS
 INSULATION RESISTANCE, 1,000 MEGOHMS MIN. @ 100 VDC
 DIELECTRIC STRENGTH, 500 VAC RMS @ SEA LEVEL
 LIFE EXPECTANCY, 1,000 CYCLES

MECHANICAL
 OPERATING FORCE, LESS THAN 800 GRAMS
 CONTACT PRESSURE, 280,000 PSI

ENVIRONMENTAL
 OPERATING TEMPERATURE, -30 TO +85 DEGREES C
 STORAGE TEMPERATURE, -45 TO + 100 DEGREES C
 CLEANING, AQUEOUS OR SOLVENT
 SOLDER HEAT RESISTANCE, PER 109-201, COND B, SWITCH "OFF".
 SOLDERABILITY PER JIS C 0050 & JIS C 0053

- SWITCHES PACKAGED IN THE "OFF" POSITION AND ON TAPE AND REEL.
- TOP SURFACE TO BE CLEARLY MARKED AS SHOWN
- SWITCHES TO BE BLACK WITH WHITE ACTUATORS AND MARKINGS.
- TYCO ELECTRONICS LOGO LOCATED HERE
- ALL MATERIALS AND FINISHES SHALL COMPLY WITH EU DIRECTIVE 2002/95/EC OF 27JAN2003 (ROHS)
- TOP TAPE SEAL AVAILABLE, SEE TABLE FOR OPTIONS.
- TAPE AND REEL PACKAGING PER EIA 481.



TAPE SEAL	POLIMIDE FILM	AMBER
MOVING CONTACT	BERYLLIUM COPPER	0.08 MICROM MIN GOLD OVER 1.27 MICROM MIN NICKEL
FIXED CONTACT/TERMINAL	BRASS	0.08 MICROM MIN GOLD OVER 1.27 MICROM MIN NICKEL
ACTUATOR	PA6T	WHITE
COVER	PPS UL94V-0 30% GLASS	BLACK
BASE	PPS UL94V-0 40% GLASS	BLACK
ITEM	MATERIAL	FINISH

ADF02STTR04900	0.138 (3.51)	0.278 (7.06)	YES	2	1814425-3
ADF08STTR04900	0.138 (3.51)	0.878 (22.30)	YES	8	1814425-2
ADF10STTR04900	0.138 (3.51)	1.078 (27.38)	YES	10	1814425-1
Part Description	Dim H	Dim L	Seal	Pos	Part No

THIS DRAWING IS A CONTROLLED DOCUMENT.

DWN RAGHAVENDRA 09NOV10	Tyco Electronics Corporation Harrisburg, PA 17105-3608
CHK EPPLEY NAZ 09NOV10	
APVD EPPLEY NAZ 09NOV10	
PRODUCT SPEC	
APPLICATION SPEC	NAME
WEIGHT	SIZE CAGE CODE DRAWING NO RESTRICTED TO
CUSTOMER DRAWING	A2 00779 C=1814425
SCALE 4:1	SHEET 1 OF 1
REV A	

TOLERANCES UNLESS OTHERWISE SPECIFIED:
 0 PLC ±
 1 PLC ±
 2 PLC ±
 3 PLC ±
 4 PLC ±
 ANGLES ±