

4

3

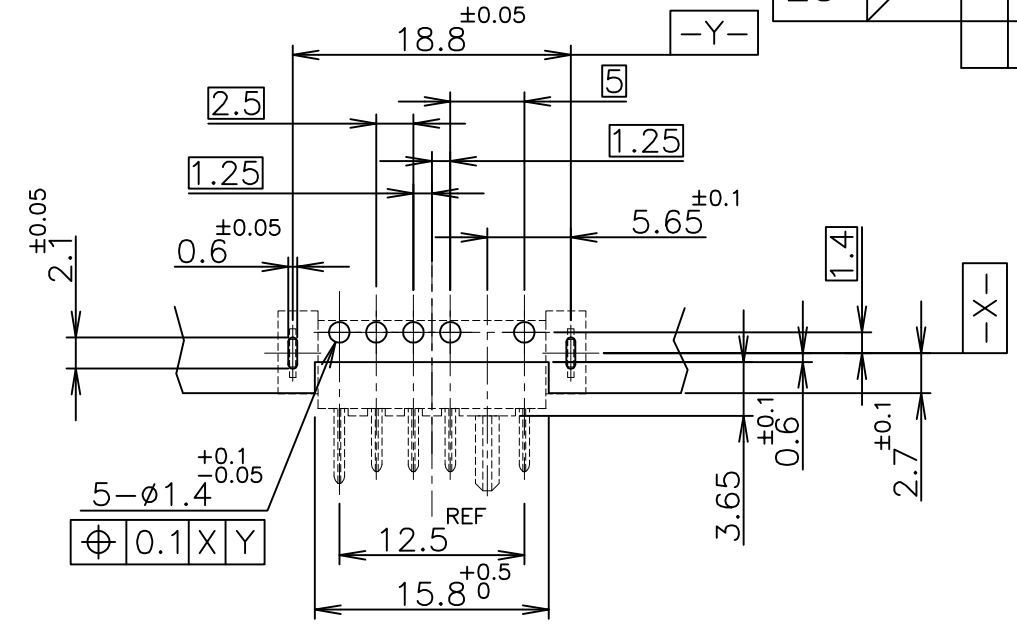
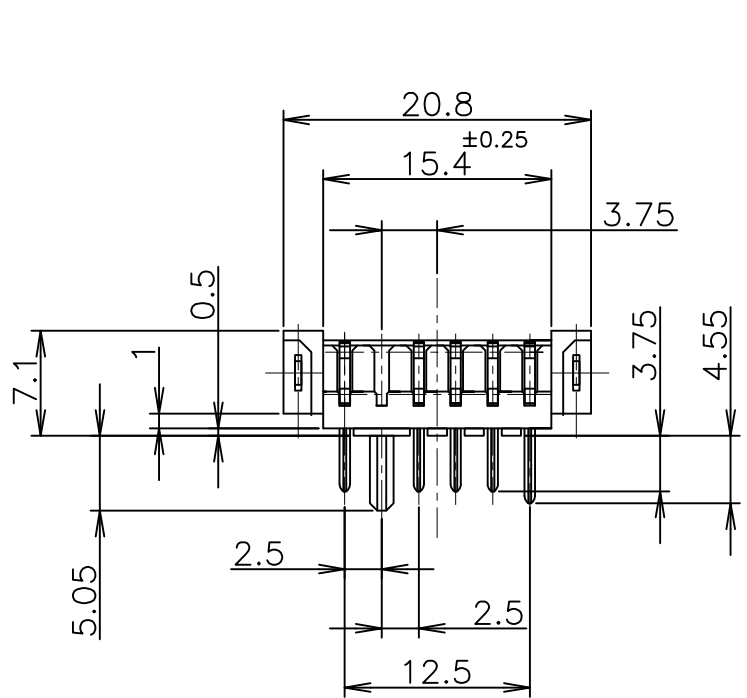
2

1

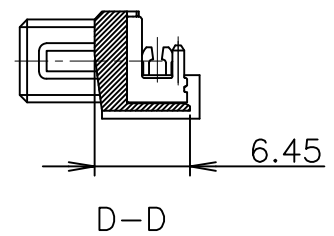
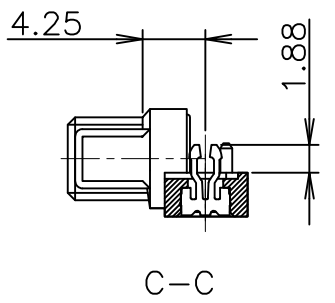
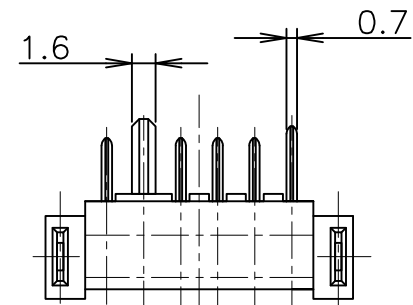
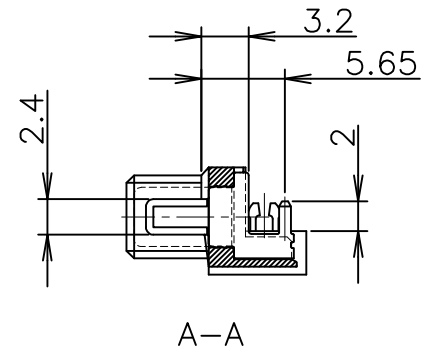
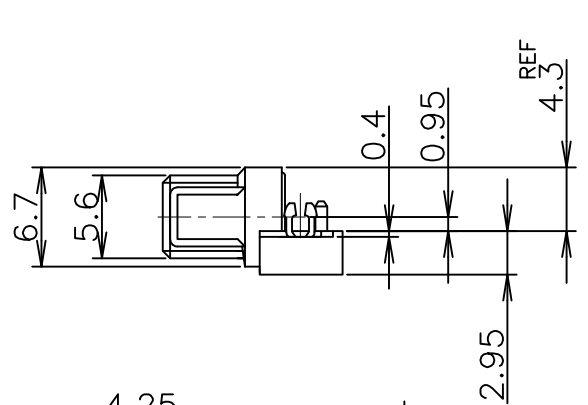
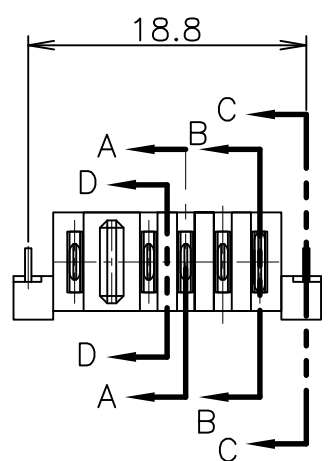
THIS DRAWING IS UNPUBLISHED. RELEASED FOR PUBLICATION OCT ,2004.

© COPYRIGHT 2004 BY TYCO ELECTRONICS CORPORATION. ALL RIGHTS RESERVED.

LOC	DIST	REVISIONS			
P	LTR	DESCRIPTION	DATE	DWN	APVD
ES	/	B	REVISED PER ECR-10-011717	30MAY2010	S.W S.Y



RECOMMENDED P.C. BOARD LAYOUT
P.C. BOARD THK 0.8~1.2
(VIEW FROM CONNECTOR MOUNTING SIDE)



- 1 MATERIAL HOUSING : THERMOPLASTIC RESIN, UL94V-0
COLOR ; BLACK
CONTACT : COPPER ALLOY
RETENTION LEG : COPPER ALLOY
- 2 FINISH CONTACT : Ni ALL OVER UNDER PL
Pd-Ni PL. AT CONTACT AREA
Au FLASH PL. AT CONTACT AREA
TIN PL. AT LEAD AREA
RETENTION LEG : TIN PL.

6318790-1 ; AS SHOWN

GENERAL TOLERANCE

10 ≥ : ±0.2
30 ≥ > 10 : ±0.25
100 ≥ > 30 : ±0.3
ANGLES : ±3°

THIS DRAWING IS A CONTROLLED DOCUMENT.		DWN	T.KATANO	08OCT04	 Tyco Electronics Shanghai, P.R.China, 200233											
DIMENSIONS: mm		CHK	T.KIMURA	08OCT04												
TOLERANCES UNLESS OTHERWISE SPECIFIED:		APVD	K.IKEGAMI	08OCT04												
<table border="0"> <tr><td>0 PLC</td><td>± -</td></tr> <tr><td>1 PLC</td><td>± -</td></tr> <tr><td>2 PLC</td><td>± -</td></tr> <tr><td>3 PLC</td><td>± -</td></tr> <tr><td>4 PLC</td><td>± -</td></tr> <tr><td>ANGLES</td><td>± -</td></tr> </table>		0 PLC	± -	1 PLC		± -	2 PLC	± -	3 PLC	± -	4 PLC	± -	ANGLES	± -	NAME	
0 PLC	± -															
1 PLC	± -															
2 PLC	± -															
3 PLC	± -															
4 PLC	± -															
ANGLES	± -															
MATERIAL		APPLICATION SPEC		SIZE	A3											
FINISH		WEIGHT		CAGE CODE	00779											
		CUSTOMER DRAWING		DRAWING NO	C=6318790											
		SCALE		2:1	RESTRICTED TO											
		SHEET		1 OF 1	REV											
					B											