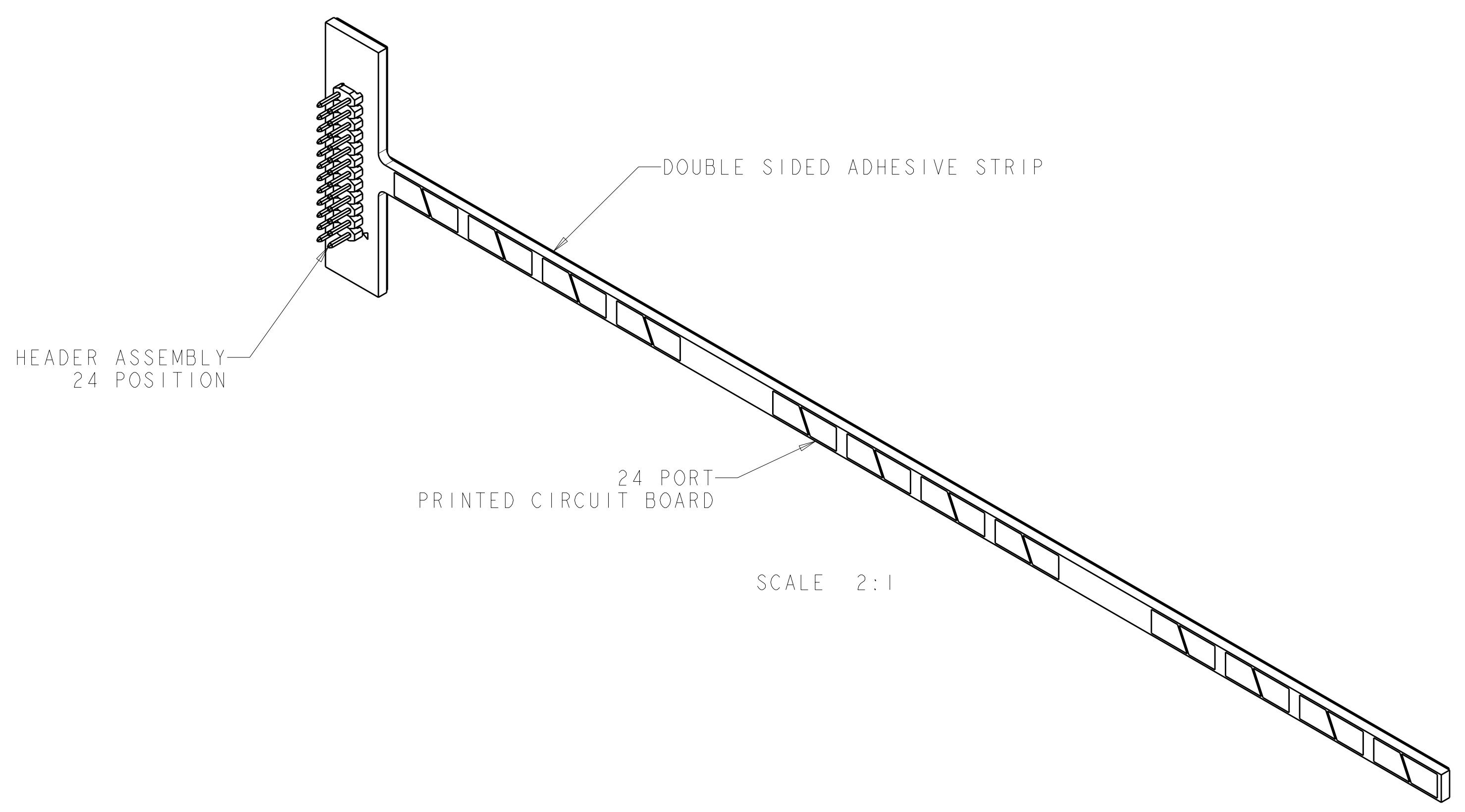
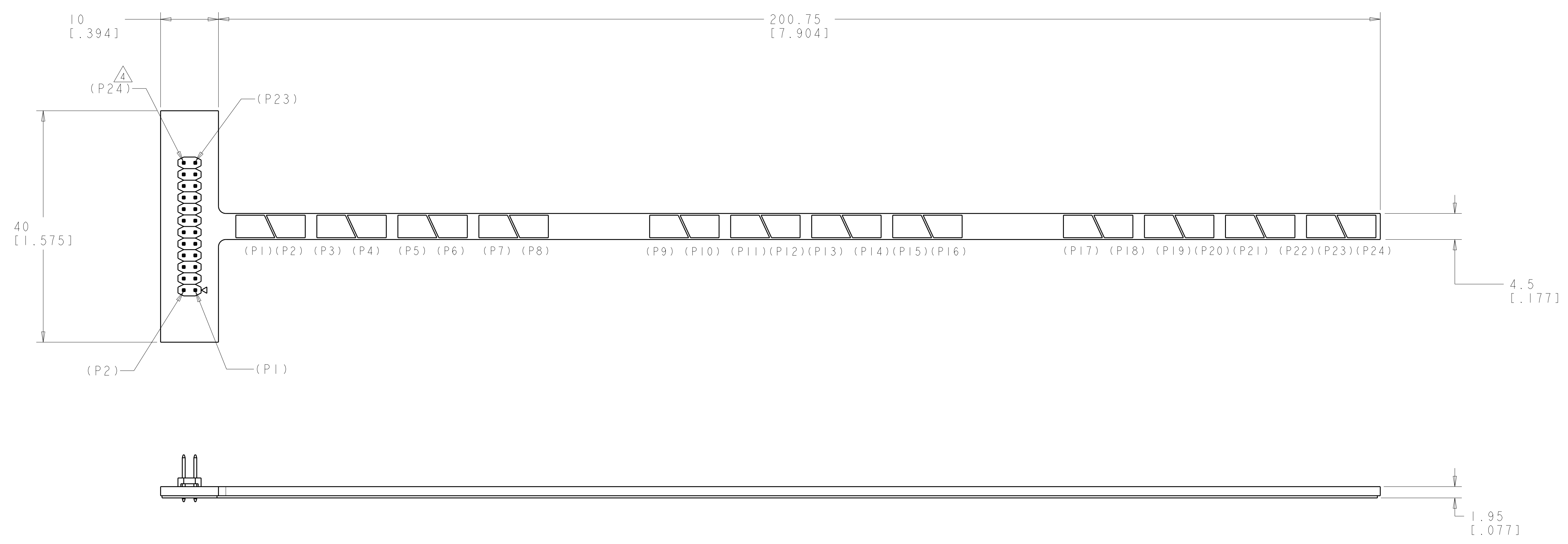


LOC	DIST	REV	DATE	BY	APPD
HM	00	A	14FEB2012	GG	SH



- 1. MATERIAL:  
 PRINTED CIRCUIT BOARD - LAMINATED PLASTIC FR-4, 1.57 [.062] THICK.  
 ADHESIVE TAPE - MYLAR, 0.38 [.015] THICK.  
 HOUSINGS - THERMOPLASTIC, UL94V-0, BLACK.  
 CONTACTS - COPPER ALLOY.
- 2. ALL DIMENSIONS SHOWN ARE NOMINAL.
- 3. PARENTHESIS ( ) ARE FOR REFERENCE ONLY. NOT SHOWN ON BOARD.
- 4. (P\_) CALLOUTS ARE FOR PIN TO PAD REFERENCE ONLY.



2111533-1  
 PART NUMBER

THIS DRAWING IS A CONTROLLED DOCUMENT.		DWN S. GARRETT	11JAN2012	TE Connectivity NAME ASSEMBLY, AMPTRAC PCB SENSOR STRIP, 24 PORT, VDS
DIMENSIONS: MM [INCHES]		CHK S. HERNDON	11JAN2012	
TOLERANCES UNLESS OTHERWISE SPECIFIED:		APPD S. HERNDON	11JAN2012	
0 PLC ± 1 PLC ± 2 PLC ± 3 PLC ± 4 PLC ± ANGLES ± FINISH -	± ± ± ± ± ±	PRODUCT SPEC APPLICATION SPEC WEIGHT CUSTOMER DRAWING	SIZE CAGE CODE DRAWING NO A100779C=2111533	RESTRICTED TO
SCALE 5:2		SHEET 1 OF 1		REV A