

MATERIALS AND FINISHES

BODY ZINC ALLOY
PLATED NICKEL

CENTER CONTACT PHOSPHOR BRONZE
PLATED GOLD

INSULATOR POLYPROPYLENE (94 V-2)

HOUSING VALOX 420-SEO
COLOR BLACK

SOLDER TAIL COPPER OVER STEEL WIRE
PLATED TIN

FRONT CLIP PHOSPHOR BRONZE
PLATED NICKEL

CHIP CAPACITOR MULTILAYER CERAMIC

BOARD CLIP PHOSPHOR BRONZE
PLATED TIN

BNC JACK
INTERFACE

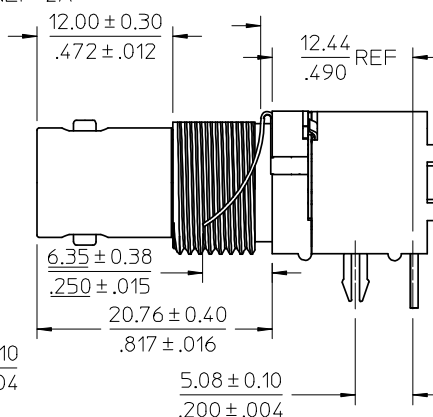
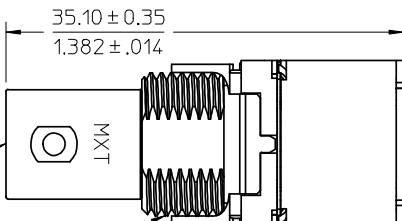
1/2-28 UNEF-2A

6.25 ± 0.10
REF
.246

0.40 ± 0.50
.016 ± .020
2 PLACES

2.54 ± 0.10
.100 ± .004

10.16 ± 0.20
.400 ± .008



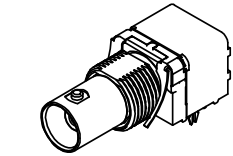
15.54 ± 0.50
.612 ± .020

4.15 ± 0.30
.163 ± .012
2 PLACES

3.60 ± 0.30
.142 ± .012
2 PLACES

∅ 0.70 ± 0.05
.028 ± .002

(B)



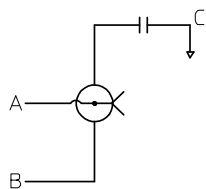
14.76 REF
.581

0.60 REF
.024
2 PLACES

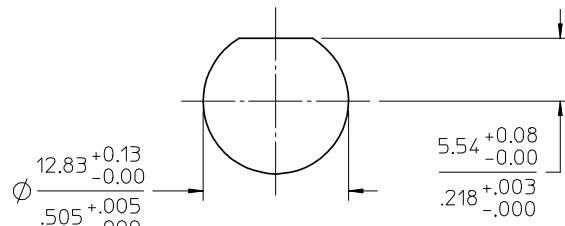
13.16 REF
.518

∅ 0.70 ± 0.05
.028 ± .002

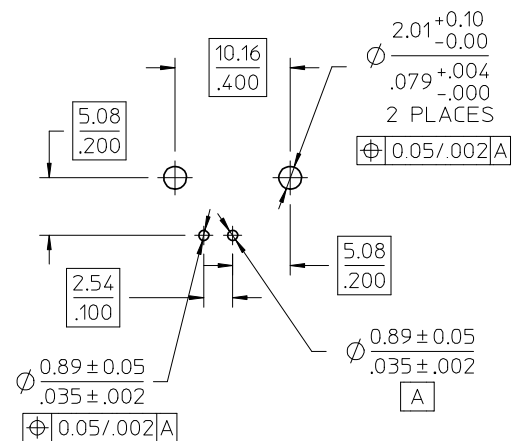
(A)



SCHEMATIC
9400 ± 20% PF, 1.5 KV W V_{dc}



RECOMMENDED MOUNTING HOLE
RECOMMENDED MOUNTING TORQUE:
0.56 N-m(5.00 IN-LBS)
PANEL THICKNESS: 5.5 (.217) MAX



RECOMMENDED PCB HOLE

ES-73599-0000	INTERFACE
PS-73598-0010	ELECTRO/MECH PERFORM.
SPECIFICATION	DESCRIPTION

73171-3030	73100-0090, ONE PER BAG
73100-0090	TRAY
PART NO.	PACKAGING

CHG: ADDED 94 V-2
TO MATERIALS
& .217 PANEL WAS 2.17

EC NO: URF2008-0413
2008/02/08
DRW: WIENER
2008/02/08
CHK: SHAH
2008/02/11
APP: WIENER
2008/02/11

DESCRIPTION
F2

QUALITY SYMBOLS	GENERAL TOLERANCES (UNLESS SPECIFIED)
▽=0	mm INCH
▽=0	4 PLACES ± --- ± ---
	3 PLACES ± --- ± ---
	2 PLACES ± --- ± ---
	1 PLACE ± --- ± ---
	ANGULAR ± 2 °
	DRAFT WHERE APPLICABLE MUST REMAIN WITHIN DIMENSIONS

DIMENSION STYLE	
MM/IN	
DRAWN BY	DATE
ROGER	1994/10/13
CHECKED BY	DATE
WANG	1994/10/19
APPROVED BY	DATE
MISEN	1994/10/23
MATERIAL NO.	SEE TABLE
SIZE	C

SCALE	DESIGN UNITS	THIRD ANGLE PROJECTION
	METRIC	
TITLE		
BNC JACK, R/A RECEPTACLE 50 OHMS FILTER BNC-J/PCB/RA/BK		
MOLEX INCORPORATED		
DOCUMENT NO.	SHEET NO.	
SD-73100-0090	1 OF 1	