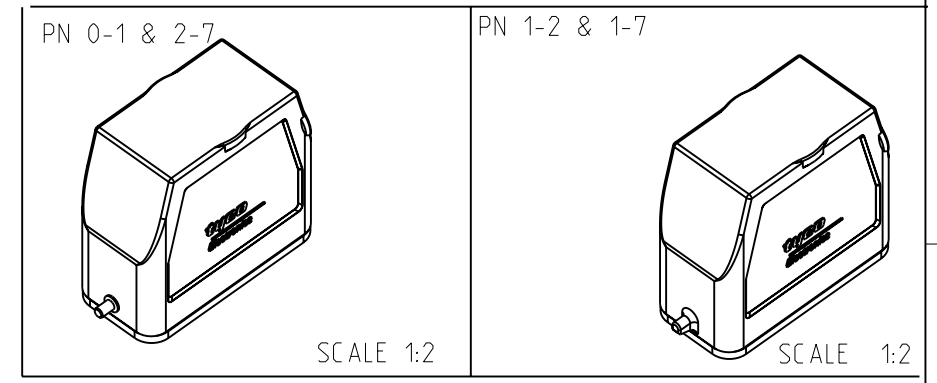


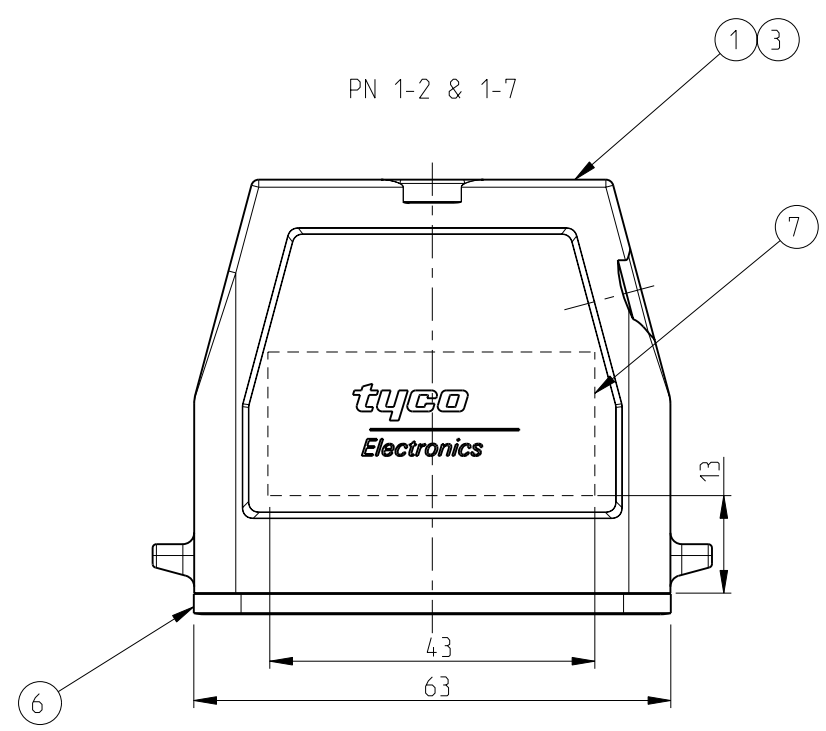
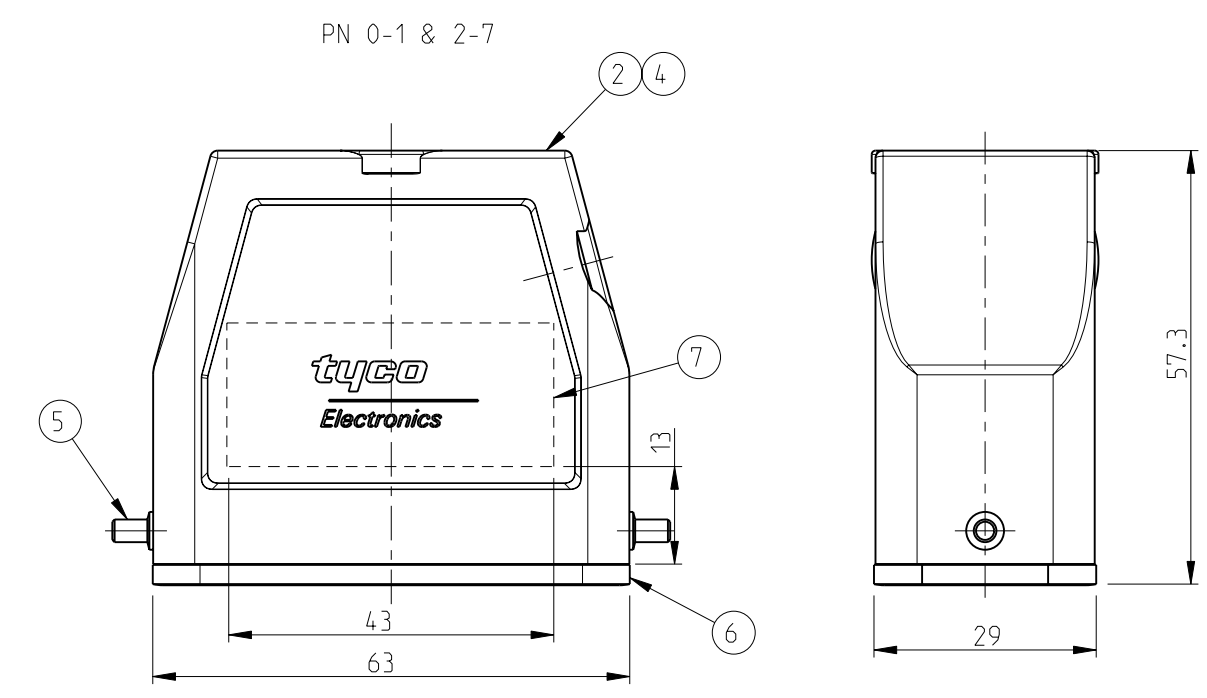
THIS DRAWING IS UNPUBLISHED. RELEASED FOR PUBLICATION 2000
 © COPYRIGHT 2000 BY TYCO ELECTRONICS CORPORATION. ALL RIGHTS RESERVED.

LOC	DIST	REVISIONS				
P	LTR	DESCRIPTION	DATE	DWN	APVD	
A1	-	B3	RELEASED AS PER ECR-09-005170	05.MAR.2009	GG	TS

- NOTES
- 1 PACKAGING
PACKAGING QUANTITY:5 PIECES PER BOX
 - 2 MATERIAL:HOUSING ALUMINIUM DIECASTING ALLOY
 - 3 SURFACE:POWDER COATED-GREY
CORROSION PROTECTION-BLACK
 - 4 VARNISH ON THE INSIDE NOT NECESSARY



2-7	1-7	1-2	0-1	DESCRIPTION	MATERIAL	SURFACE	COLOR	ITEM NO	REMARKS
2	2	2	2	INSULATING TAPE	COROPLAST TYP 303	-	GREY	7	PVC-SOFT
1	1	1	1	PROFILE SEAL	NEOPRENE	-	BLACK	6	-
2	-	-	2	CLIP BOLT	STAINLES STEEL	BLANK	-	5	-
1	-	-	-	HOOD	ALUMINIUM	HARD COAT	BLACK	4	-
-	1	-	-	HOOD	ALUMINIUM	-	GREY	3	-
-	-	-	1	HOOD	ALUMINIUM	HARD COAT	ALU COLORED	2	-
-	-	1	-	HOOD	ALUMINIUM	WITHOUT VARNISH	-	1	-
2-7	1-7	1-2	0-1	DESCRIPTION	MATERIAL	SURFACE	COLOR	ITEM NO	REMARKS
				HA-K.10.STS.1.16.G					1 PACKAGING
				HA.10.STS.1.16.G					1 PACKAGING
				HA.10.STS.1.16.G					1 PACKAGING
				HA-K.10.STS.1.16.G					1 PACKAGING



THIS DRAWING IS A CONTROLLED DOCUMENT FOR TYCO ELECTRONICS CORPORATION
 IT IS SUBJECT TO CHANGE AND THE CONTROLLING ENGINEERING ORGANIZATION
 SHOULD BE CONTACTED FOR THE LATEST REVISION.

DIMENSIONS: mm	TOLERANCES UNLESS OTHERWISE SPECIFIED: 0 PLC ± 1 PLC ± 2 PLC ± 3 PLC ± 4 PLC ± ANGLES ±	DWN 23/02/2006 S.KUMAR	Tyco Electronics, AMP.GmbH 53757 Sankt Augustin, Germany
		CHK 23/02/2006 R.SRINIVAS	
		APVD 23/02/2006 T.SCHNURPF II	
		PRODUCT SPEC 108-74009	
MATERIAL	FINISH	APPLICATION SPEC 114-74001	NAME HOOD HA.10.STS.1.16.G
		WEIGHT -	SIZE A3
		CUSTOMER DRAWING	CAGE CODE 00779
			DRAWING NO C-1102117
			RESTRICTED TO
		SCALE 1:1	SHEET 1 OF 1
			REV B3