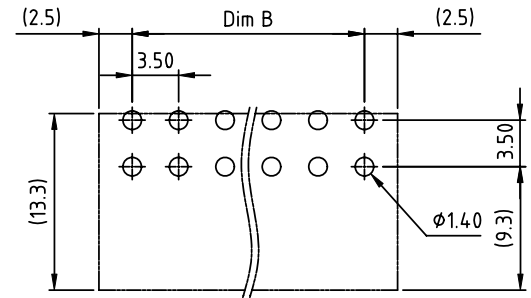
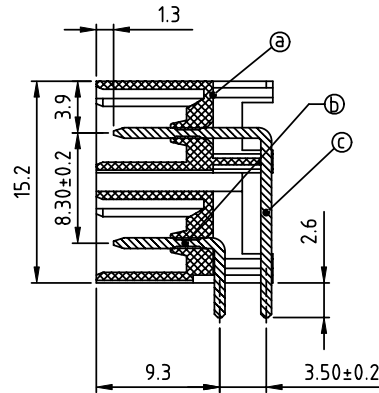
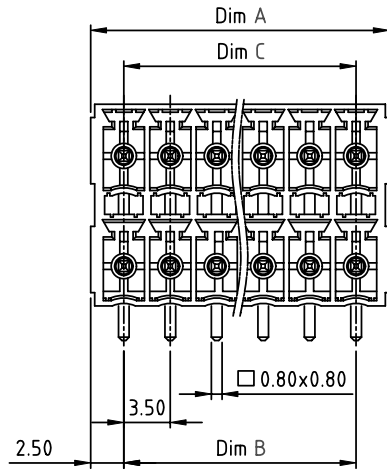
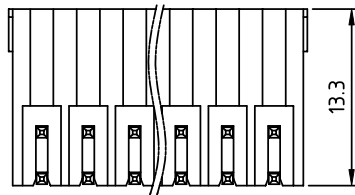


PRODUCT NUMBER	PITCH
KExx11x1A0J0G	3.50 mm



RECOMMENDED P.C.B LAYOUT
TOP VIEW



Material:

- Item a Terminal(housing):Thermoplastic (UL94V-0)
- Item b Short pin: copper Tin plated
- Item c Long pin: copper Tin plated

Electrical:

- cULus
- Voltage rating: 160V
 - Current rating: 5.5A
 - Withstanding Voltage: 1.32 KV
 - Operating temperature: -40°C to +115°C
 - Soldering temperature: 260°C ±5°C/5 Sec
 - Safety Approval:

Dim A=(N/2-1)×3.5+5.0
Dim B=(N/2-1)×3.5
Dim C=(N/2-1)×3.5
N=Number of poles

POLES	Tolerance
2x2p-2x6p	±0.15
2x7p-2x12p	±0.20
2x13p-2x18p	±0.25
2x19p-2x24p	±0.30

PART NO.: KE xx 1 1 x 1 A0J0 G

- | | | | |
|--------------|---|-------------------|--|
| Solid block | 0 | Black (RAL9005) | RoHS compliant
(lead<4%)
In copper Alloy |
| No. of poles | 2 | Red (RAL3001/D) | |
| 04 2x2poles | 3 | Orange(RAL2011/P) | |
| 06 2x3poles | 4 | Yellow(RAL1018/A) | |
| | 5 | Green(RAL6018/T) | |
| 48 2x24poles | 6 | Blue (RAL5015/A) | |
| | 8 | Grey(RAL7035/D) | |
| | 9 | White(RAL1102) | |
| | C | Green(RAL6018/U) | |

mat'l. code		surface ASME Y14.5	tolerance ASME Y14.5	projection 	product family TERMINAL BLOCK
ltr	ecn no	dr	date	tolerances unless otherwise specified	title TERMINAL BLOCK PLUGGABLE SOCKET, CLOSE RIGHT ANGLE
				angles φ X±1°	
				scale MM	dwg no KExx11x1A0J0G sheet 1 of 1 size A4
		dr	EVIN ZHONG 042314		
		enr	EVIN ZHONG 042314		
		chr	HANKE FENG 042314		
		appd	SHI JUN 042314	type CUSTOMER Drawing	
sheet index	revision sheet	A	1		