



# PRODUCT DATASHEET

## Barbara series

last update 3/4/2017

### DETAILS

<b>Product Number</b>	F15404_BARBARA-G2-WW
<b>Family</b>	Barbara
<b>Type</b>	Reflector
<b>Color</b>	metal
<b>Diameter</b>	70 mm
<b>Height</b>	41,9 mm
<b>Style</b>	round
<b>Optic Material</b>	PC
<b>Holder Material</b>	
<b>Fastening</b>	socket
<b>Status</b>	production ready
<b>ROHS Compliant</b>	Yes
<b>Date Updated</b>	3/04/2017



### OPTICAL PROPERTIES

LED	Viewing	Light	Effi-		Connector
	Angle	Beam	ciency	cd/lm	
CLL02x/CLU02x (LES10)	sim: 51	Very Wide	sim: 88 %	sim: 1.300	LEDiL: F15255_HEKLA-SOCKET-C
CXA/B 15xx	sim: 51	Very Wide	sim: 91 %	sim: 1.400	LEDiL: F15256_HEKLA-SOCKET-D
SLE G6 LES15	sim: 51	Very Wide	sim: 88 %	sim: 1.300	LEDiL: F15859_HEKLA-SOCKET-I
SLE G6 LES17	sim: 50	Very Wide	sim: 88 %	sim: 1.250	LEDiL: F15859_HEKLA-SOCKET-I

D

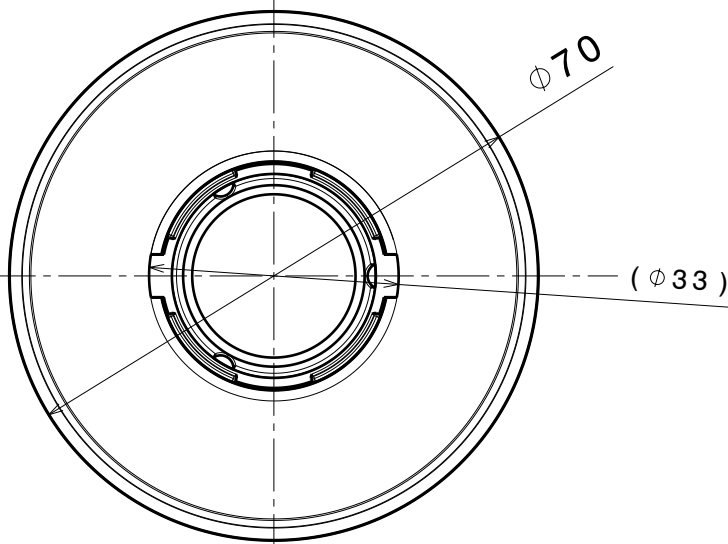
C

B

A

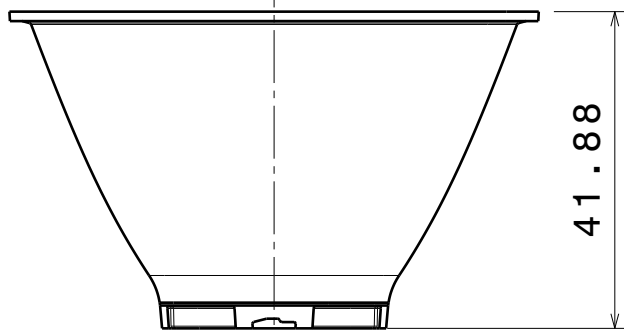
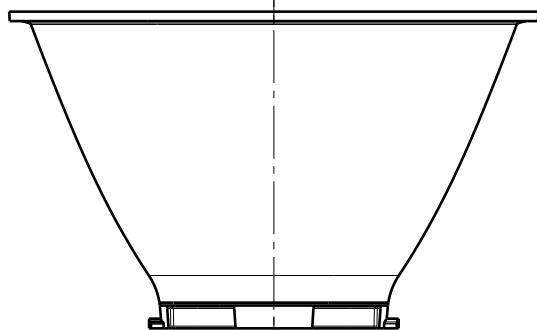
4

4



3

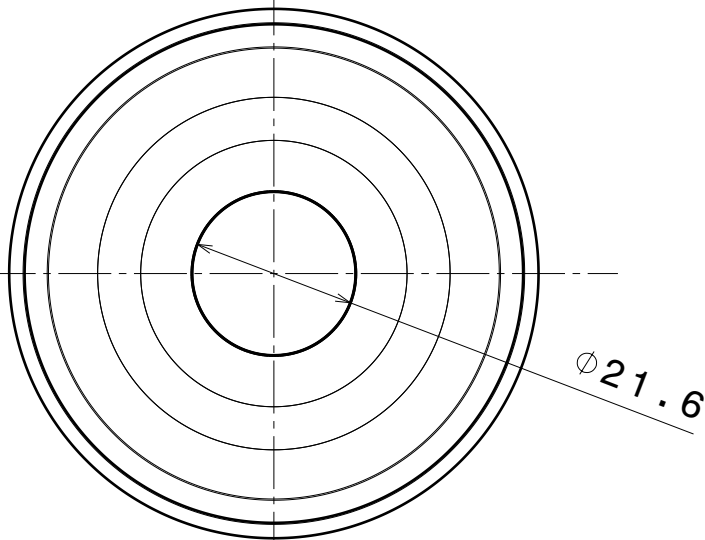
3



41.88

2

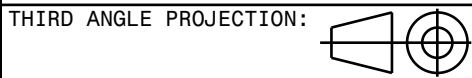
2



INDEX	PART NO	DESCRIPTION	MATERIAL	COLOUR
1	BARBARA-G2	BARBARA-G2 MECH MODEL	PC	metal

Tolerances if not otherwise shown  
 According to DIN ISO 2768-1  
 Linear measures:  
 Up to 30mm class M, otherwise class C.  
 According to DIN ISO 2768-2  
 Form and position: class L

**LEDiL** LediL Oy  
 Salorankatu 10  
 FIN 24240 SALO  
 Finland



DRAWING TITLE  
**Datasheet Reflector**

This drawing is the property  
 of LEDiL Oy. It may not be  
 reproduced, copied or  
 communicated without a written  
 agreement with LEDiL Oy.

SIZE	PART NUMBER
<b>A4</b>	<b>BARBARA-G2</b>

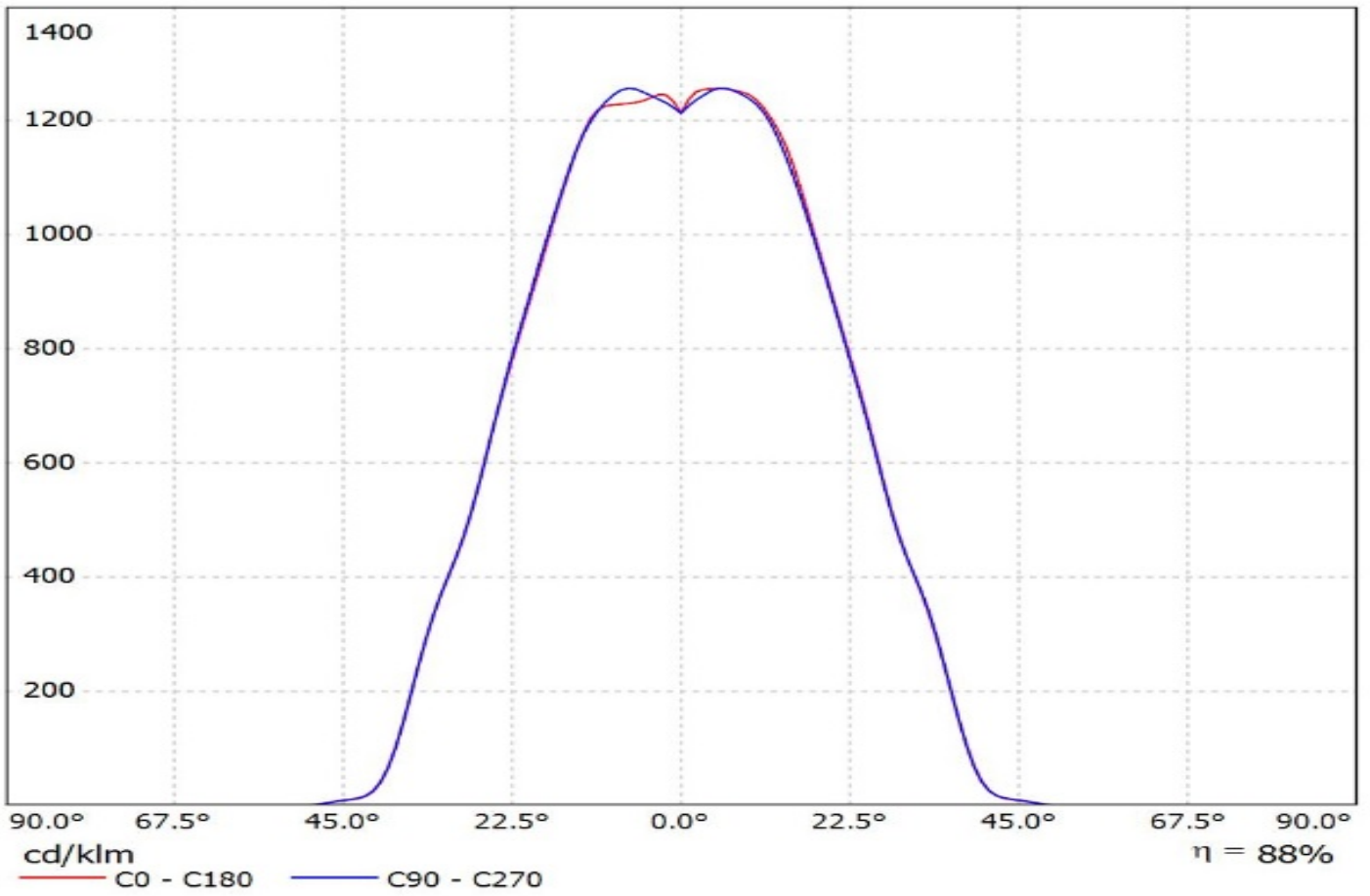
SCALE	1:1	WEIGHT		SHEET	1/1
-------	-----	--------	--	-------	-----

D

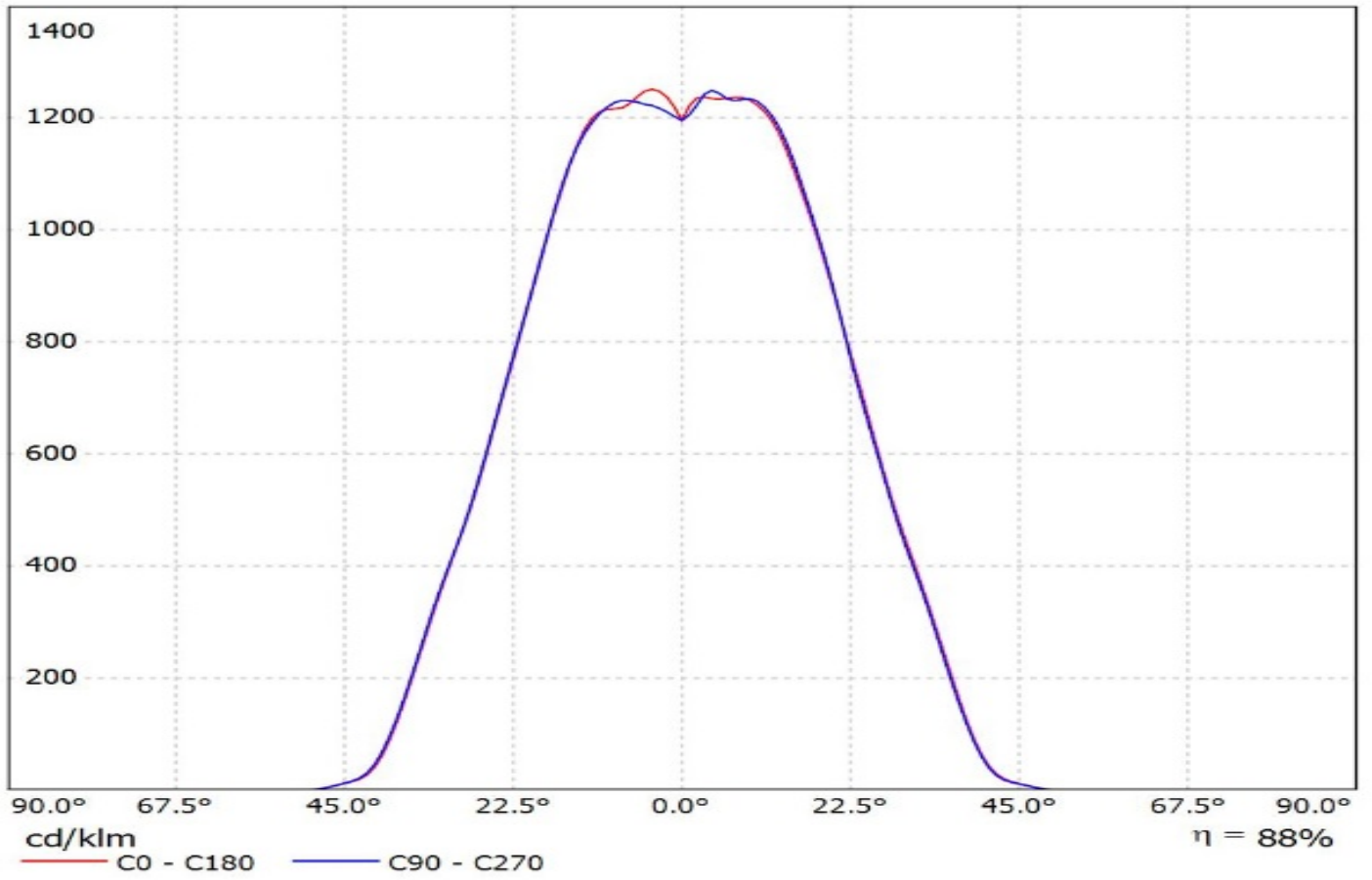
A

1

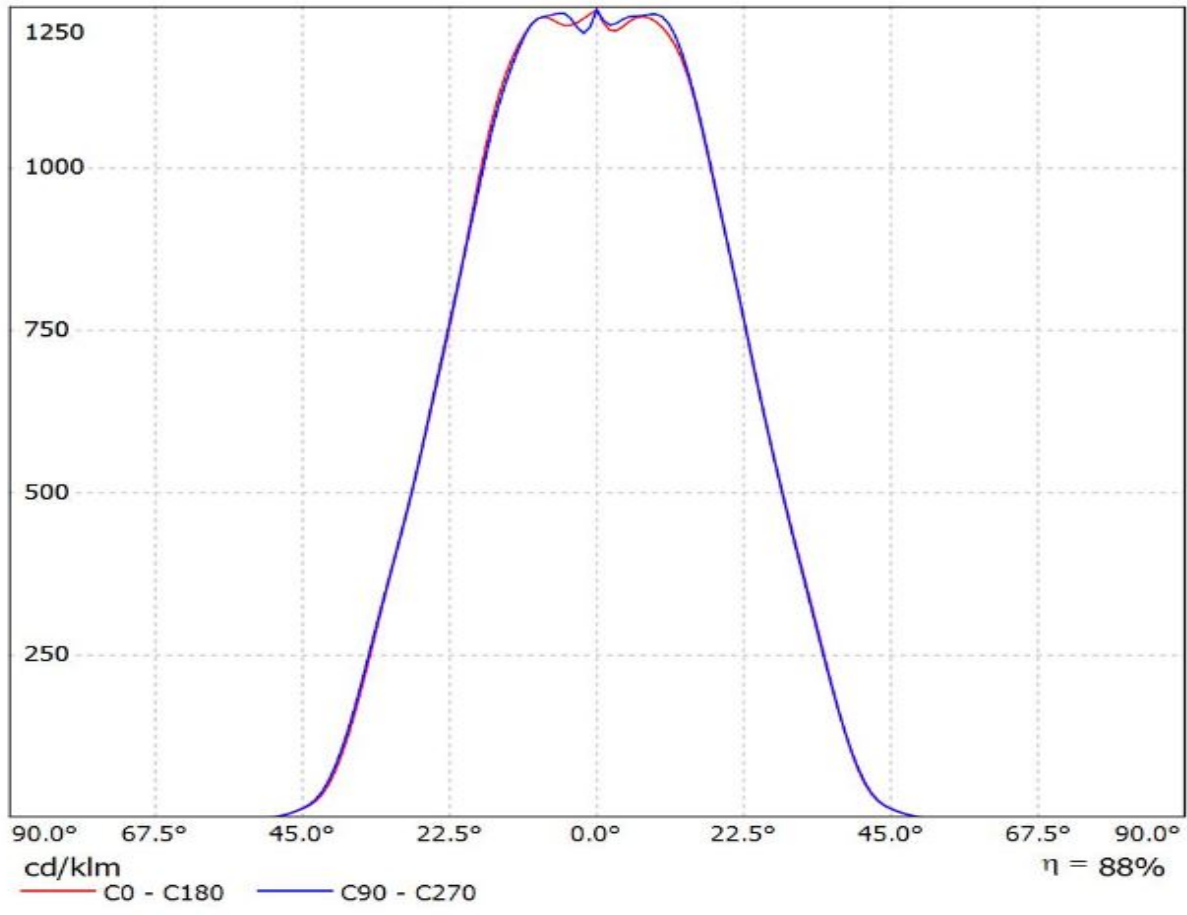
Luminaire: Ledil Oy F15404\_BARBARA-G2-WW\_+\_F15255\_HEKLA-SOCKET-C\_(CLU028)\_SIMULATED  
Lamps: 1 x Citizen CLU028-1204C4-303M2K1 + F15255\_HEKLA-SOCKET-C



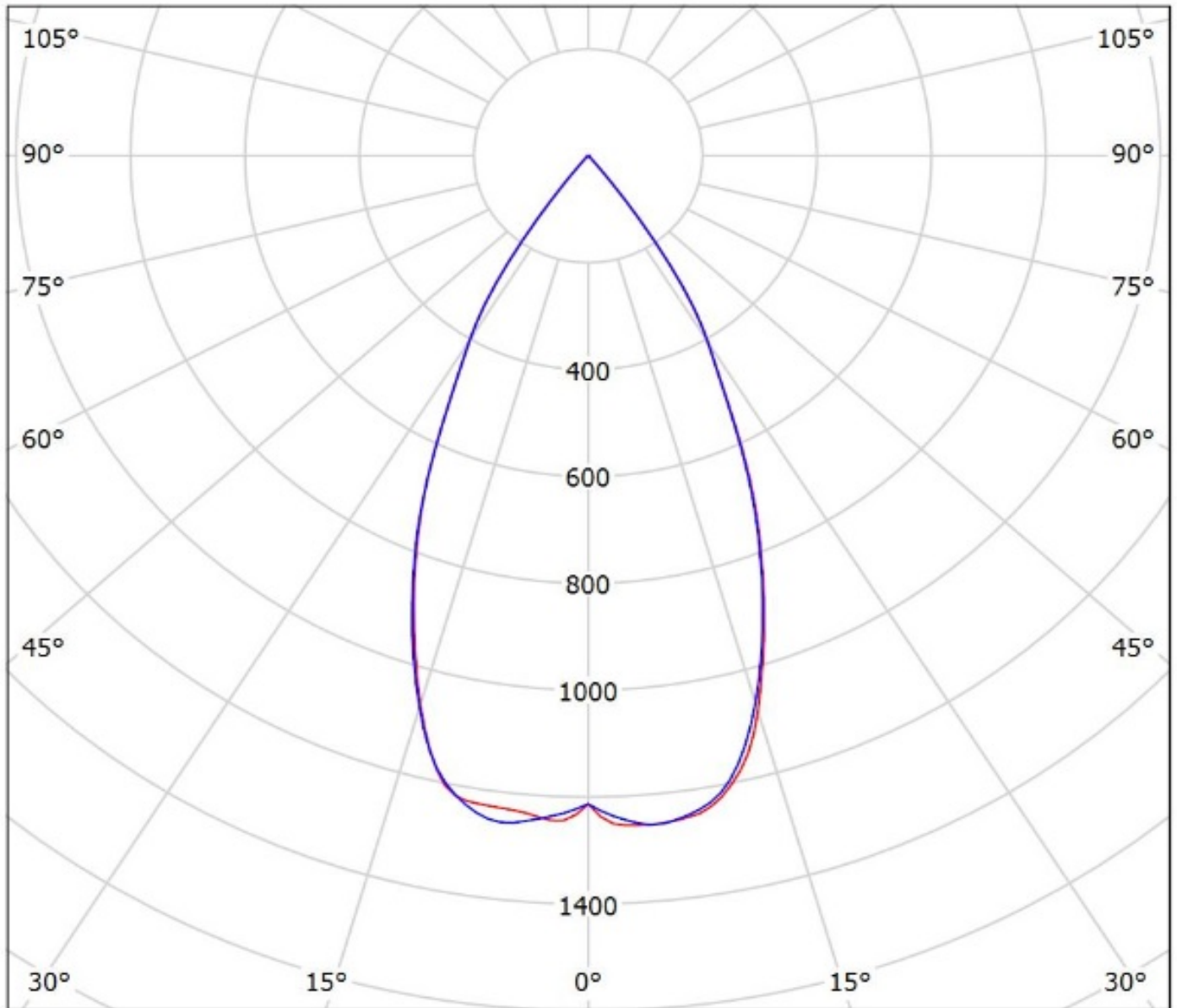
Luminaire: Ledil Oy PRELIMINARY\_F15404\_BARBARA-G2-WW\_+\_F15859\_HEKLA-SOCKET-I\_ (SLE\_G6\_LES15)\_SIMULATED  
Lamps: 1 x Tridonic SLE G6 LES15 + F15859\_HEKLA-SOCKET-I



Luminaire: Ledil Oy F15404\_BARBARA-G2-WW+\_F15859\_HEKLA-SOCKET-I\_TRIDONIC\_SLE\_G6\_LES17\_SIMULATED  
Lamps: 1 x TRIDONIC SLE G6 LES17



Luminaire: Ledil Oy F15404\_BARBARA-G2-WW\_+\_F15255\_HEKLA-SOCKET-C\_(CLU028)\_SIMULATED  
Lamps: 1 x Citizen CLU028-1204C4-303M2K1 + F15255\_HEKLA-SOCKET-C

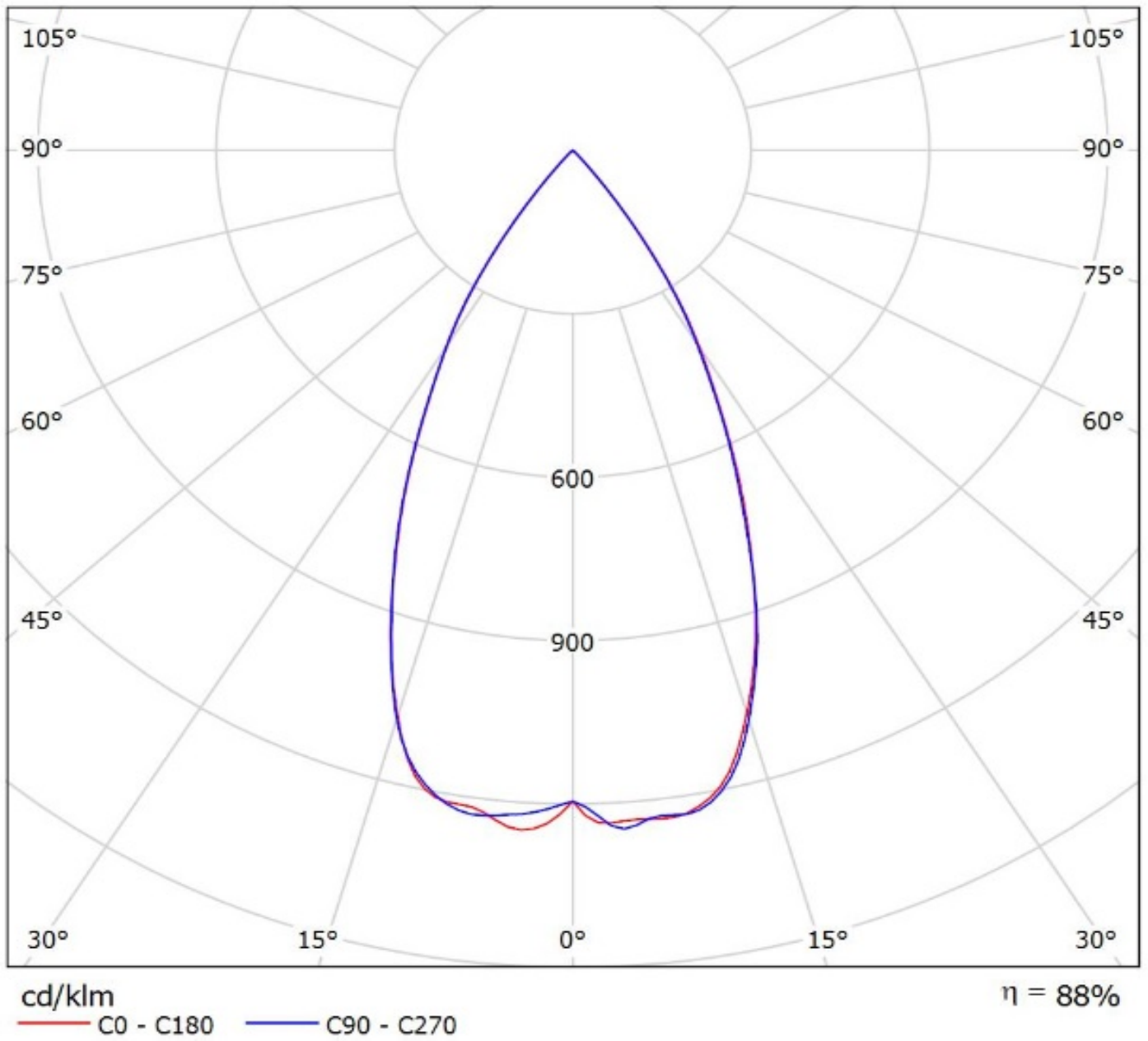


cd/klm

— C0 - C180 — C90 - C270

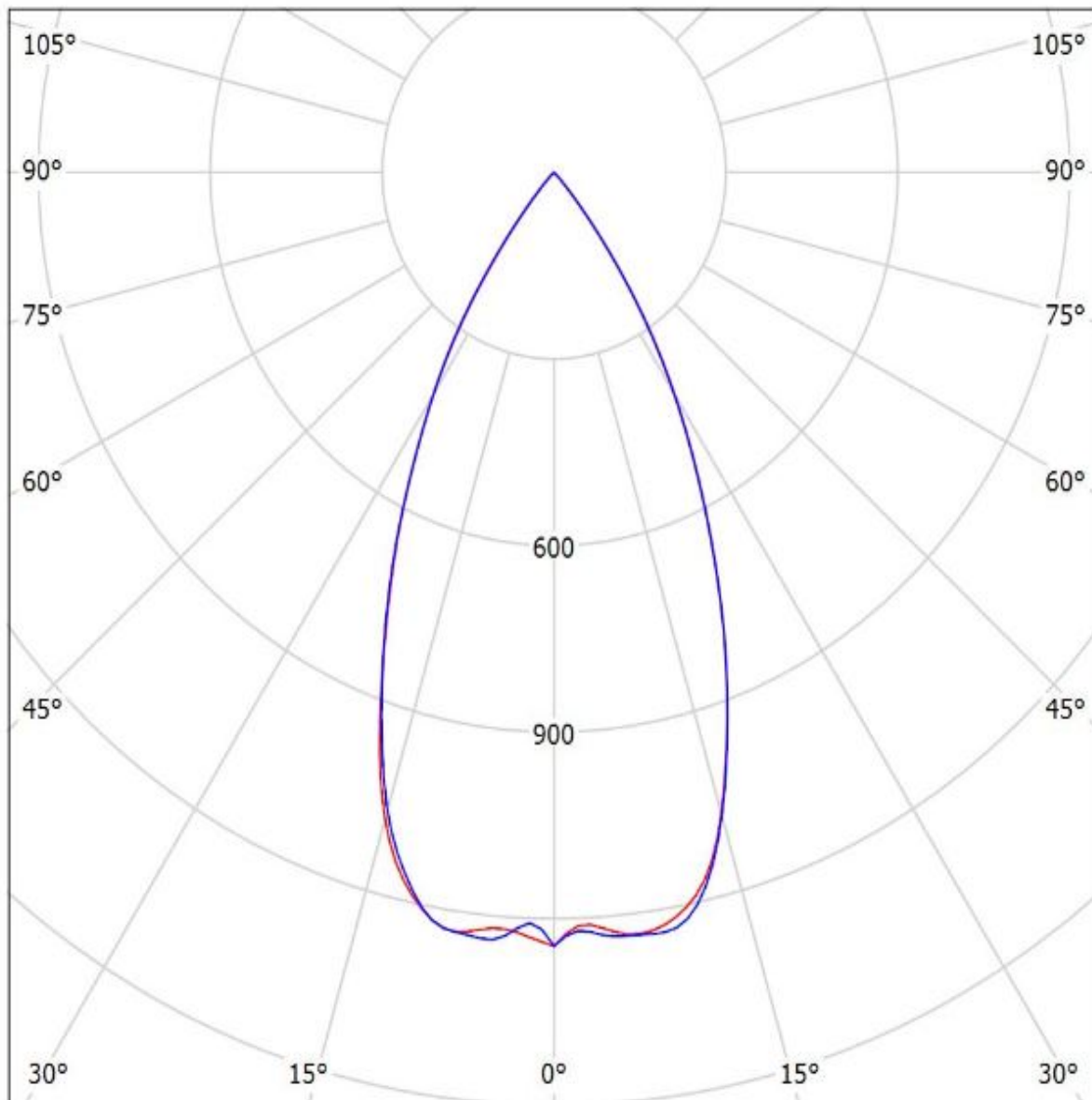
$\eta = 88\%$

Luminaire: Ledil Oy PRELIMINARY\_F15404\_BARBARA-G2-WW+\_F15859\_HEKLA-SOCKET-I  
(SLE\_G6\_LES15)\_SIMULATED  
Lamps: 1 x Tridonic SLE G6 LES15 + F15859\_HEKLA-SOCKET-I





Luminaire: Ledil Oy F15404\_BARBARA-G2-WWW+\_F15859\_HEKLA-SOCKET-I\_TRIDONIC\_SLE\_G6\_LES17\_SIMULATED  
Lamps: 1 x TRIDONIC SLE G6 LES17



cd/klm

— C0 - C180 — C90 - C270

$\eta = 88\%$



**NOTE: The typical divergence will be changed by different color, chip size and chip position tolerance. The typical total divergence is the full angle measured where the luminous intensity is half of the peak value.**

### **GENERAL INFORMATION**

- Product series especially designed & optimized for series of LEDs.
- Special care taken to make light distribution as uniform as possible.

Note! Due to use of high power COB's with this product, special attention to proper thermal design is highly recommended. LEDiL has no liability for direct, indirect or consecutive damages arising from the LEDiL products being used outside of the recommended temperature range.