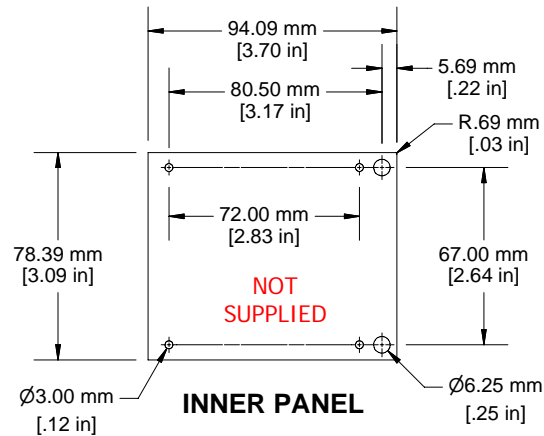
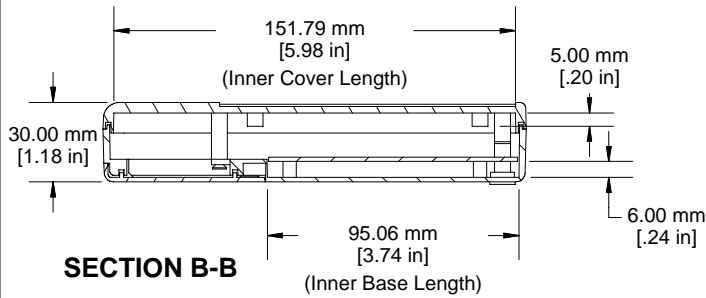
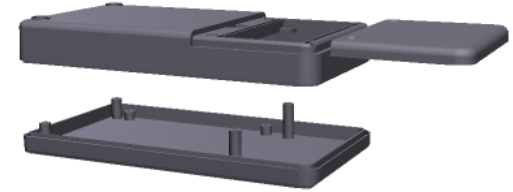
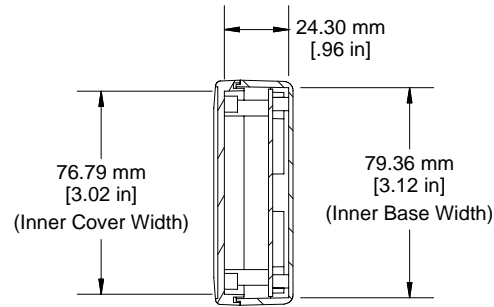


SECTION A-A



Enclosures can be Factory Modified (Milling, Drilling, Printing etc.)
 Contact Factory mjm@hammondmfg.com for quotes
 Solid models of this enclosure available in STEP or IGES.

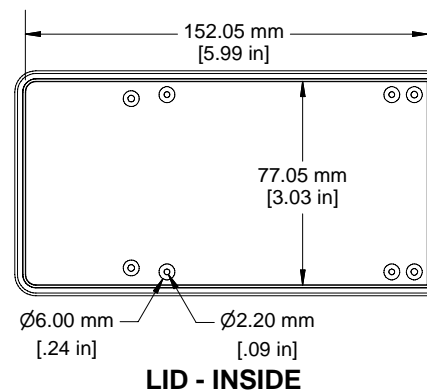
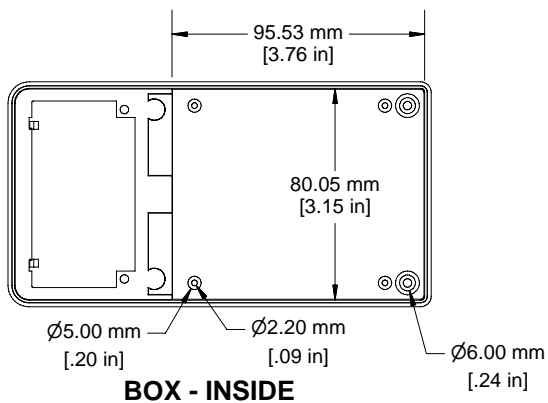
PART NUMBERS

RH3045 Enclosure

Material: ABS (UL94-HB), Light Gray color	RH3045
Material: ABS (UL94-HB), Black color	RH3041BK

ACCESSORIES

Lid Screws: M3 x 18
Circuit Board Screws, 4 Supplied (M2.6 self tap)
Suggested Lid Screw Torque: 30 ozf-in (21 cN-m)



**HAMMOND
MANUFACTURING™**

RH3045

www.hammondmfg.com