

THE INFORMATION CONTAINED HEREIN IS CONSIDERED "PROPRIETARY" TO BEL FUSE INC. AND SHALL NOT BE COPIED, REPRODUCED OR DISCLOSED WITHOUT THE WRITTEN APPROVAL OF BEL FUSE INC.

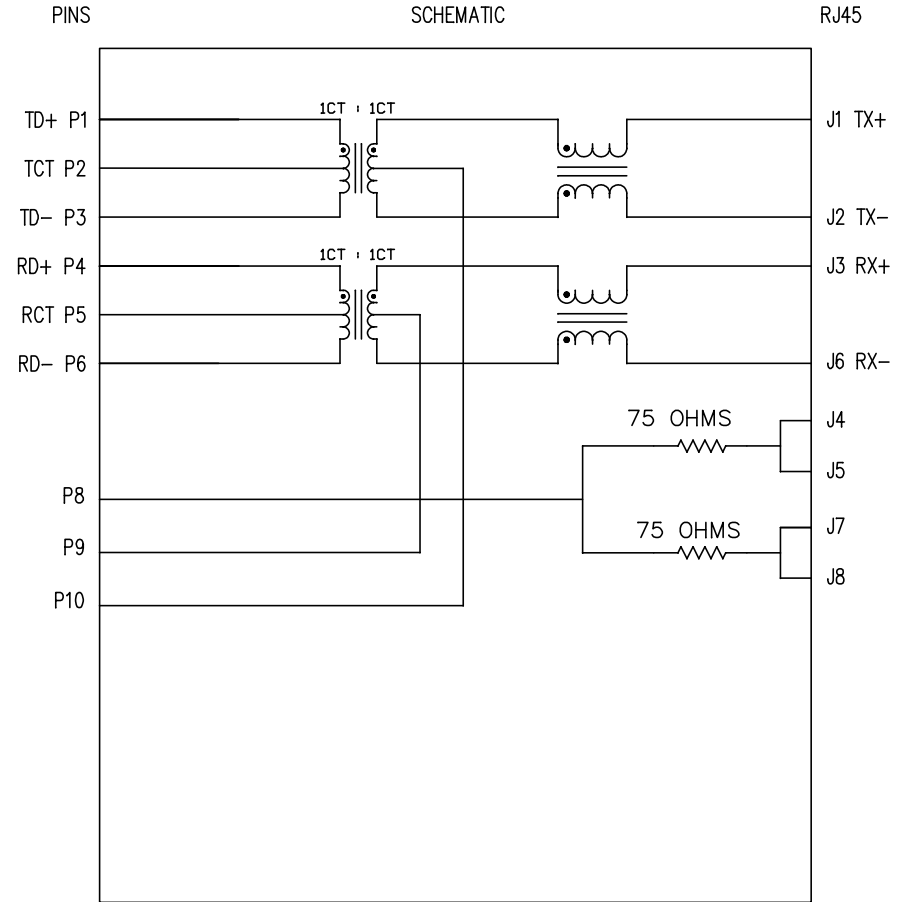
PRELIMINARY



ELECTRICAL CHARACTERISTICS @ 25°C

- 1.0 INDUCTANCE:
 - (P6-P4) : 350uH MIN. @ 0.1V, 100KHz, 8mA DC BIAS
 - (P3-P1) : 350uH MIN. @ 0.1V, 100KHz, 8mA DC BIAS
- 2.0 TURNS RATIO:
 - (P6-P5-P4):(J6-J3) : 1CT : 1CT ± 3%
 - (P3-P2-P1):(J2-J1) : 1CT : 1CT ± 3%
- 3.0 LEAKAGE INDUCTANCE:
 - (P6-P4) WITH J6-J3 SHORT : 0.3uH MAX. @1MHZ
 - (P3-P1) WITH J2-J1 SHORT : 0.3uH MAX. @1MHZ
- 4.0 INTERWINDING CAPACITANCE:
 - (P6-P5-P4) TO (J6-J3) : 30pF MAX. @1MHZ
 - (P3-P2-P1) TO (J2-J1) : 30pF MAX. @1MHZ
- 5.0 DC RESISTANCE:
 - (J6-J3) : 1.2 OHMS MAX.
 - (J2-J1) : 1.2 OHMS MAX.
- 6.0 RETURN LOSS: (P6-P4)=100 OHMS AND (P1-P3)=100 OHM REF.
 - 1MHz TO 30MHz : 18dB MIN.
 - 60MHz TO 80MHz : 12dB MIN.

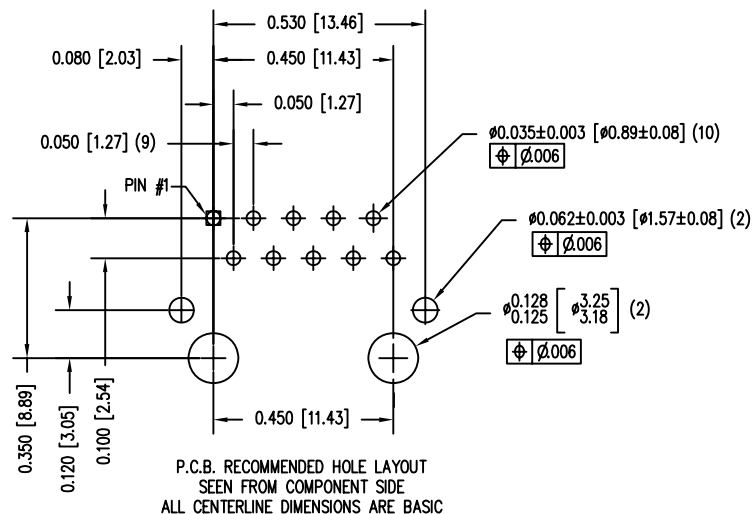
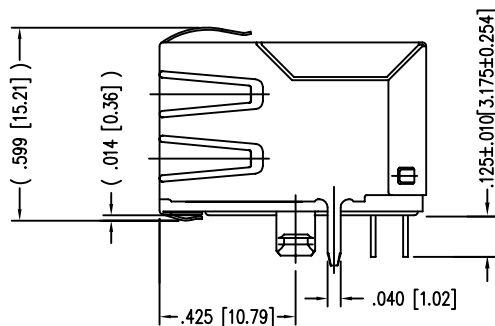
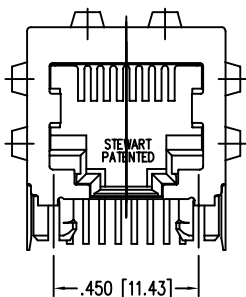
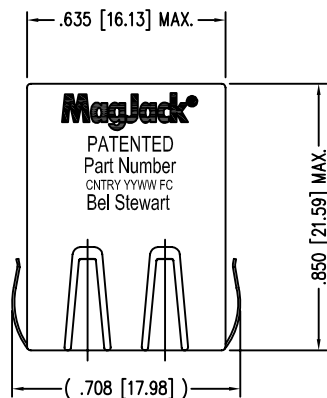
NOTE: 100 OHMS CONNECTED TO (J2-J1) OR (J6-J3).
- 7.0 DIELECTRIC WITHSTAND:
 - (J1, J2) TO (P1, P3) : 1500 VAC
 - (J3, J6) TO (P4,P6) : 1500 VAC
- 8.0 INSERTION LOSS: RS=RL=100 ohms
 - 100KHz TO 100MHz : 1.1 dB TYP
- 9.0 RISE TIME: RS=100 OHMS AND RL = 100 OHMS
 - OUTPUT VOLTAGE = 1 V peak : 3.0 nS MAX
 - PULSE WIDTH= 112nS : 3.0 nS MAX
- 10. CROSS TALK:
 - 1MHz TO 100MHz : 40 dB TYP
- 11.0 COMMON TO COMMON MODE ATTENUATION:
 - 30MHz TO 100MHz : 35dB TYP
- 12.0 CURRENT CAPABILITY: : 350mA MAX.



NOTE: PINS WITHOUT ELECTRICAL CONNECTION ARE OMITTED

ORIGINATED BY	DATE	TITLE	PART NO. / DRAWING NO.	STANDARD DIM.	[] METRIC DIM. AS REFERENCE		bel
RS ZHANG	03-25-10	MagJack® 10/100BT TAB DOWN, SHIELDED PATENTED	SI-62004-F	TOL. IN INCH	UNIT : INCH [mm]	REV. : X0	
DRAWN BY	DATE		FILE NAME	.X	SCALE : N/A	SIZE : A4	
RS ZHANG	03-25-10		SI-62004-F.DWG	.XX	±0.005	PAGE : 2	

THE INFORMATION CONTAINED HEREIN IS CONSIDERED "PROPRIETARY" TO BEL FUSE INC. AND SHALL NOT BE COPIED, REPRODUCED OR DISCLOSED WITHOUT THE WRITTEN APPROVAL OF BEL FUSE INC.



NOTES:

- CONNECTOR MATERIALS:
HOUSING: THERMOPLASTIC UL94 V-0
CONTACT/SHIELD: COPPER ALLOY
SHIELD PLATING: NICKEL OR TIN
CONTACT PLATING: SELECTIVE GOLD,
50 MICRO-INCHES MIN. IN CONTACT AREA.
- PIN NOT ELECTRICALLY CONNECTED MAYBE OMITTED.
SEE ELECTRICAL DRAWING FOR OMITTED PINS.
- TOLERANCES COMPLY WITH F.C.C. DIMENSION REQUIREMENTS.
- ALL TOLERANCES NOT OTHERWISE SPECIFIED TO BE ±.005 [0.13]
- WAVE SOLDER COMPATIBLE - PREHEAT 125°C/90SECS.
HIGH TEMPERATURE REFLOW COMPATIBLE - 230°C/90 SEC MAX. CAPABILITY.

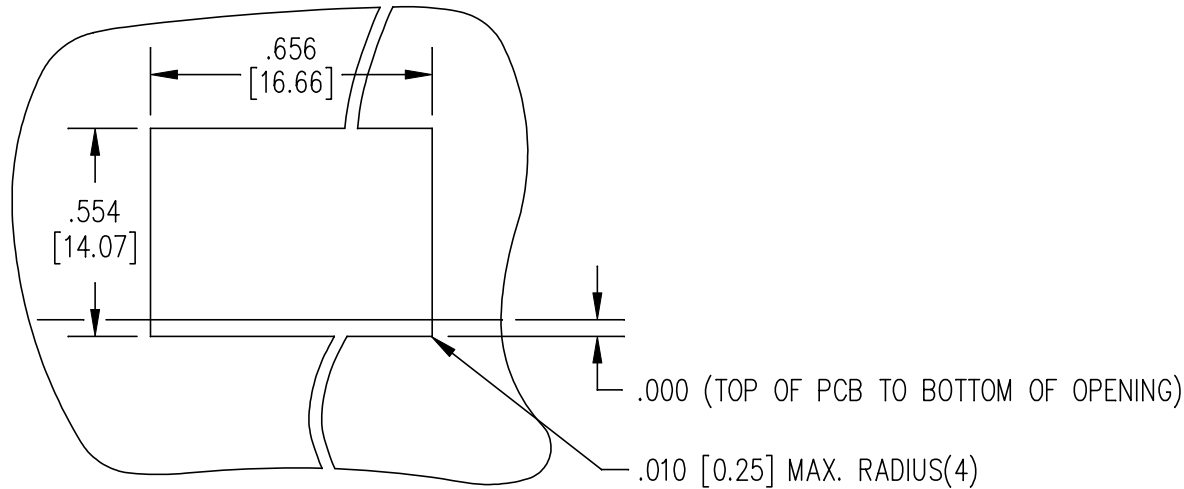
ORIGINATED BY	DATE	TITLE	PART NO. / DRAWING NO.	STANDARD DIM. TOL. IN INCH	[] METRIC DIM. AS REFERENCE	 COMPONENTS FOR A CONNECTED PLANET	
RS ZHANG	03-25-10	MagJack® 10/100BT TAB DOWN, SHIELDED PATENTED	SI-62004-F	.X	UNIT : INCH [mm]		REV. : X0
DRAWN BY	DATE		FILE NAME	.XX	SCALE : N/A		SIZE : A4
RS ZHANG	03-25-10		SI-62004-F.DWG	.XXX	±0.005		PAGE : 3

THE INFORMATION CONTAINED HEREIN IS CONSIDERED "PROPRIETARY" TO BEL FUSE INC. AND SHALL NOT BE COPIED, REPRODUCED OR DISCLOSED WITHOUT THE WRITTEN APPROVAL OF BEL FUSE INC.

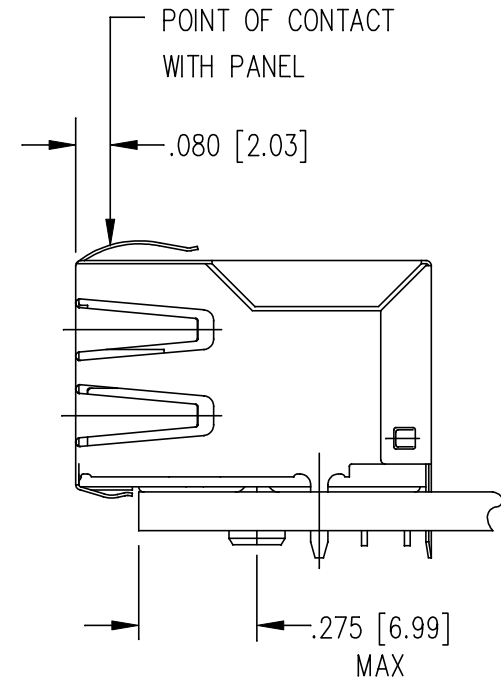
RoHS
2002/95/EC



PRELIMINARY



SUGGESTED PANEL OPENING



THE SUGGESTED PANEL OPENING IS INTENDED TO GIVE THE USER THE ABILITY TO HAVE REASONABLE JACK / PANEL CLEARANCES YET MAINTAIN RELIABLE GROUNDING CAPABILITY.

ORIGINATED BY RS ZHANG	DATE 03-25-10	TITLE MagJack® 10/100BT TAB DOWN, SHIELDED PATENTED	PART NO. / DRAWING NO. SI-62004-F	STANDARD DIM. TOL. IN INCH .X .XX .XXX ±0.005	[] METRIC DIM. AS REFERENCE UNIT : INCH [mm] SCALE : N/A 	REV. : X0 SIZE : A4 PAGE : 4	bel COMPONENTS FOR A CONNECTED PLANET
DRAWN BY RS ZHANG	DATE 03-25-10		FILE NAME SI-62004-F.DWG				