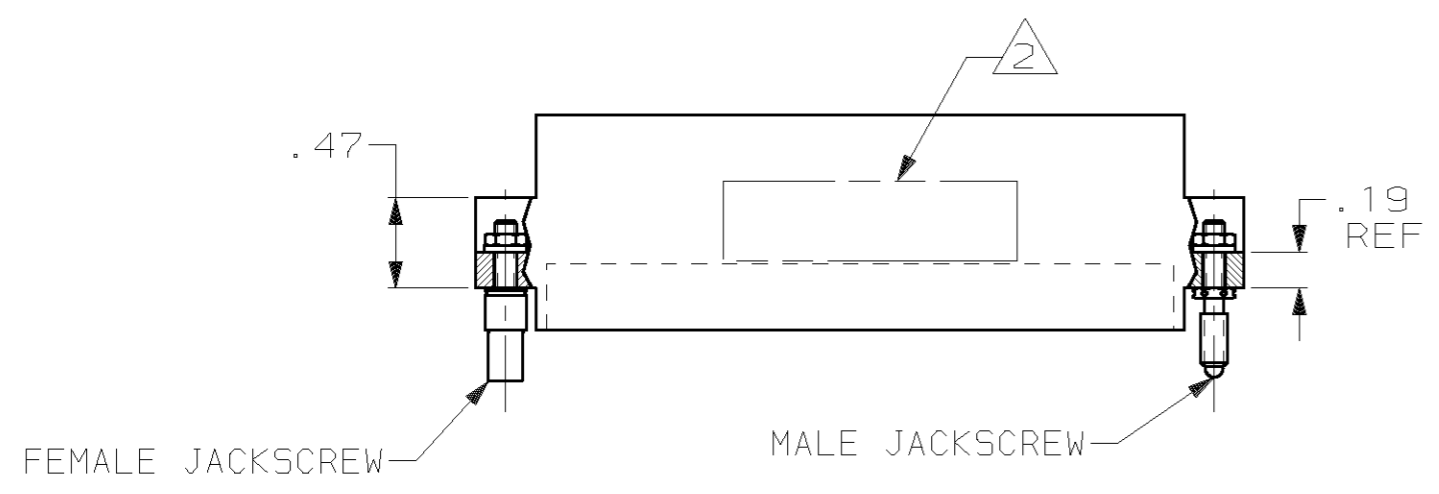
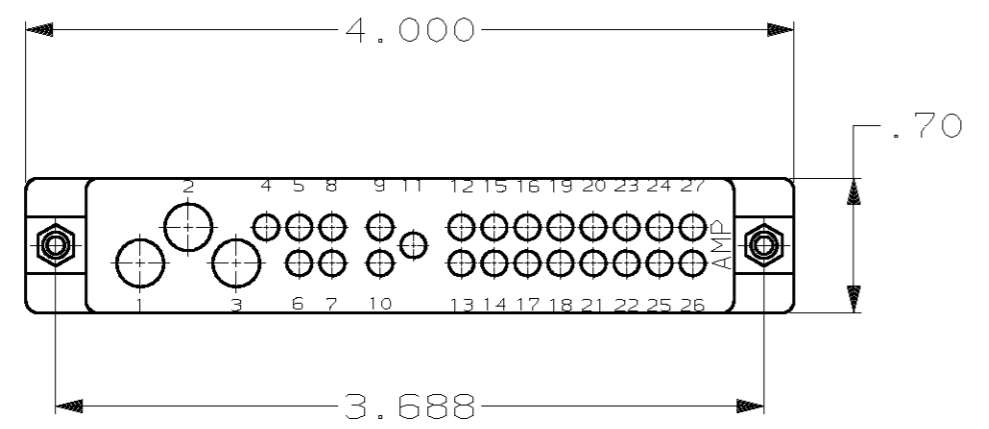
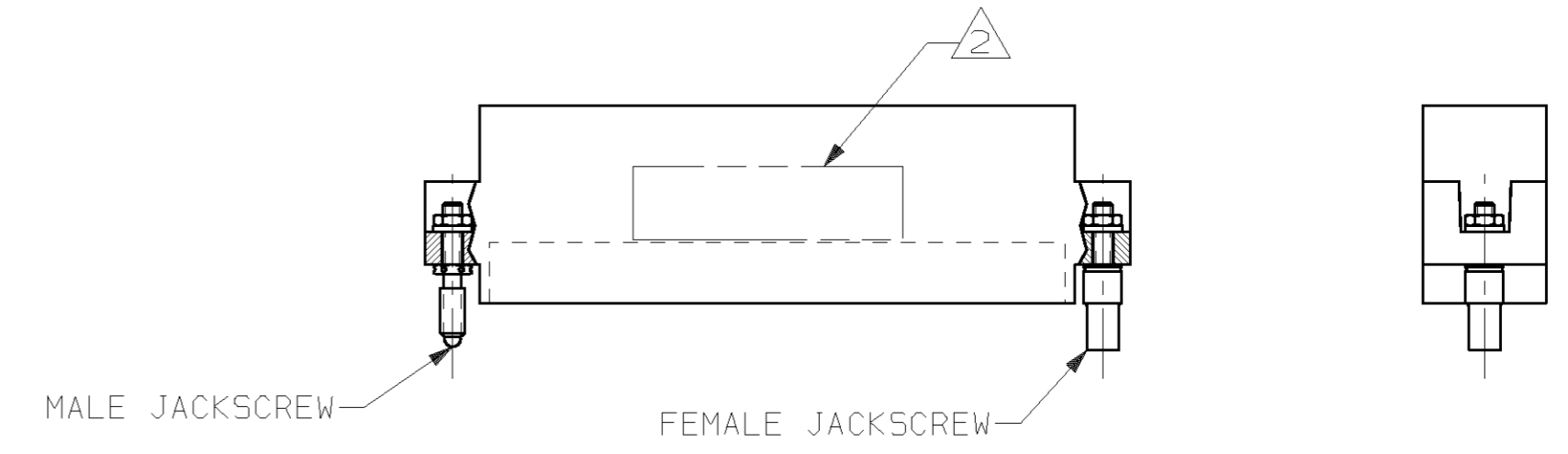
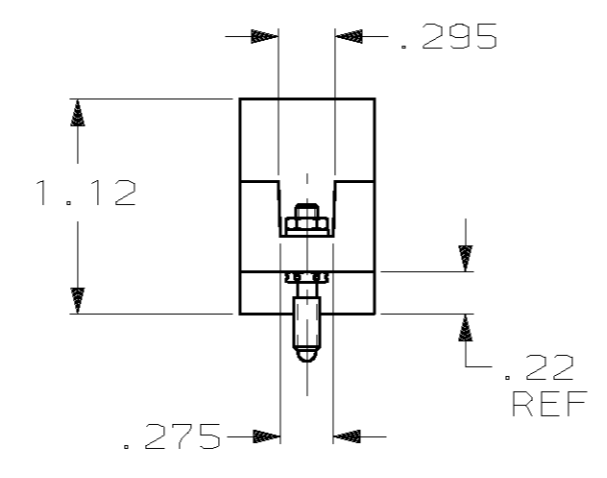
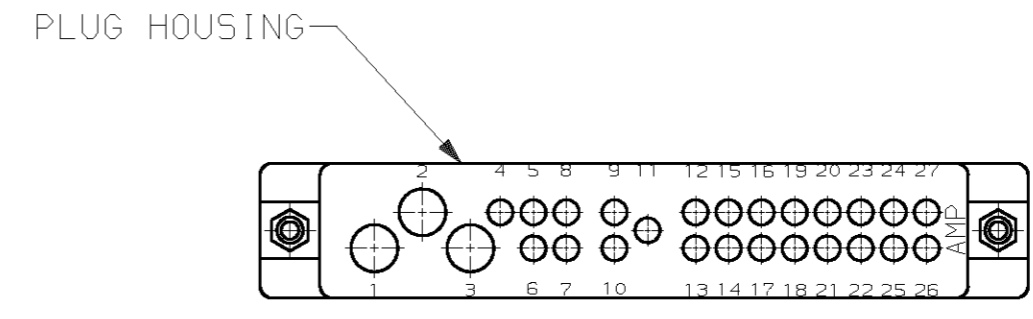


THIS DRAWING IS UNPUBLISHED. RELEASED FOR PUBLICATION ,19  
 (C) COPYRIGHT 19 BY AMP INCORPORATED, ALL RIGHTS RESERVED.

LOC	DIST	REVISIONS			
P	LTR	DESCRIPTION	DATE	DWN	APVD
DF	50	F	REV PER 063D-0374-01	12-02	CT DE



858575-4 ONLY



858575-5 ONLY

- DIMENSIONS SHOWN FOR 858575-4 ALSO APPLY FOR 858575-5.
- AMP INFORMATION MARKED IN THIS AREA.
- CONTACTS ARE NOT SUPPLIED WITH EITHER CONNECTOR.
- CONNECTOR IS SUPPLIED WITH 6 "O"-RINGS. AFTER INSERTING CONTACTS IN THE CONNECTOR; CUSTOMER MUST INSTALL (2) "O"-RINGS OVER EACH PIN, ON INTERFACE SURFACE, AT POSITIONS #9,10 & 11.
- 858575-1, -2 & -3 ARE OBSOLETE.

THIS DRAWING IS A CONTROLLED DOCUMENT.		DWN C.C.THOMAS 7-26-01	AMP TYCO Electronics Corporation Harrisburg, PA 17105-3608																		
DIMENSIONS: INCHES		CHK D.EABY 7-26-01	NAME D.EABY																		
TOLERANCES UNLESS OTHERWISE SPECIFIED:		APVD D.EABY 7-26-01	PRODUCT SPEC																		
<table border="1"> <tr><td>0</td><td>PLC</td><td>±-</td></tr> <tr><td>1</td><td>PLC</td><td>±-</td></tr> <tr><td>2</td><td>PLC</td><td>±.04</td></tr> <tr><td>3</td><td>PLC</td><td>±.005</td></tr> <tr><td>4</td><td>PLC</td><td>±-</td></tr> <tr><td colspan="2">ANGLES</td><td>±-</td></tr> </table>		0	PLC	±-	1	PLC	±-	2	PLC	±.04	3	PLC	±.005	4	PLC	±-	ANGLES		±-	APPLICATION SPEC	
0	PLC	±-																			
1	PLC	±-																			
2	PLC	±.04																			
3	PLC	±.005																			
4	PLC	±-																			
ANGLES		±-																			
MATERIAL MOLDED GLASS EPOXY		FINISH -	WEIGHT -	RESTRICTED TO																	
CUSTOMER DRAWING		SCALE 1:1	SHEET 1 OF 1	REV F																	