

PART NAME: KNOB    SCALE: 1:1    DATE: 9/22/93    DR. BY HD

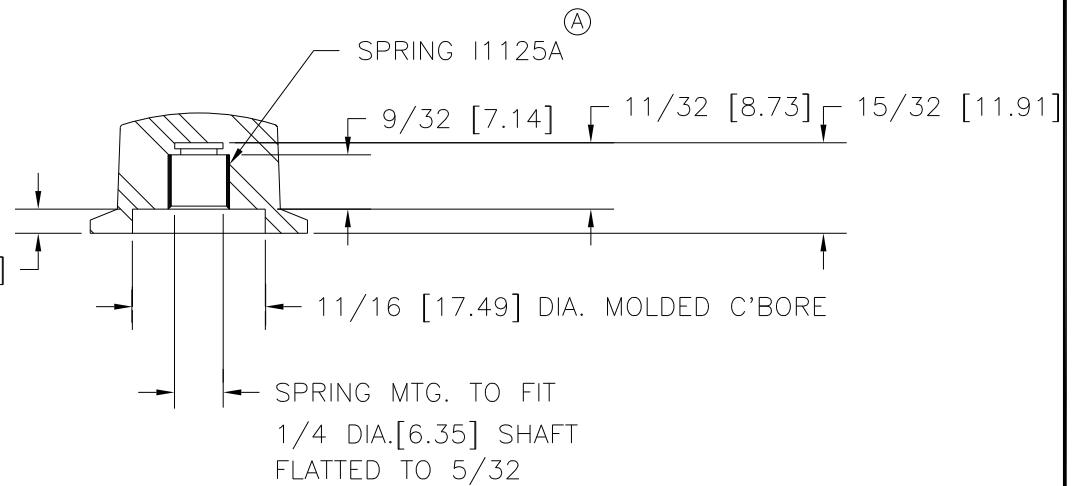
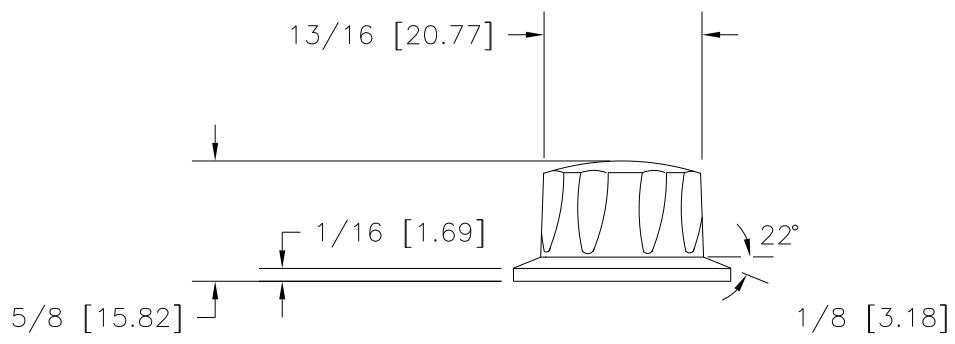
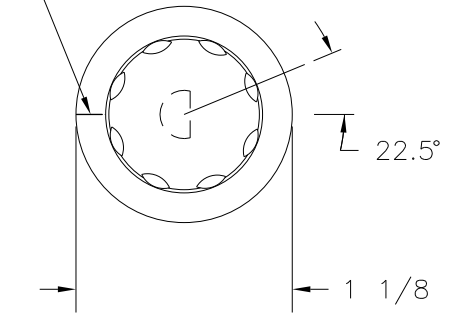
THIS DRAWING IS THE PROPERTY OF DAVIES MOLDING COMPANY, IS SUBMITTED SOLELY AS A DESIGN OR ENGINEERING PROJECT. WE ACCEPT NO RESPONSIBILITY WHATSOEVER FOR THE PRACTICAL APPLICATION OF THE PIECES MADE TO THIS DESIGN.

DAVIES MOLDING COMPANY  
CAROL STREAM, ILLINOIS 60188

P/N 1913CD  
BASE PART 1913-05  
SPRING I1125A

Ⓐ

PAD PRINTED INDICATOR LINE - IN - WHITE  
LOCATED 180° FROM FLAT



MATERIAL: G.P. PHENOLIC (B11)  
COLOR: BLACK

TOLERANCES: UNLESS OTHERWISE SPECIFIED	DO NOT SCALE DRAWING				
DECIMALS: X.XXX ± .005 X.XX ± .015	MM: X.XX ± 0.15MM X.X ± 0.4MM	-	UPDATED/HAD TOOLBOX	EV.	8/20/02
FRACTIONS ± 1/64	ANG. ± 1°	A	CORRECTED SPRING, WAS I1125	JAM	11/28/01
CHANGES					