

4

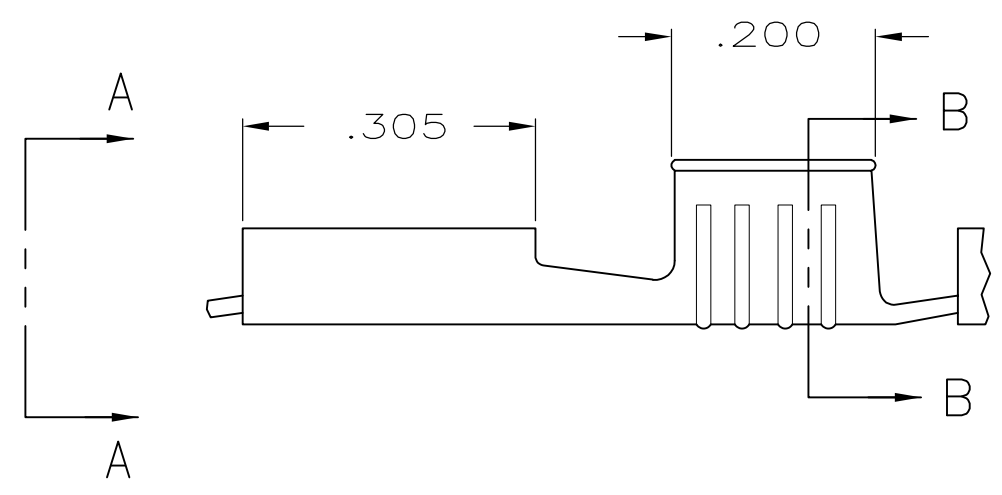
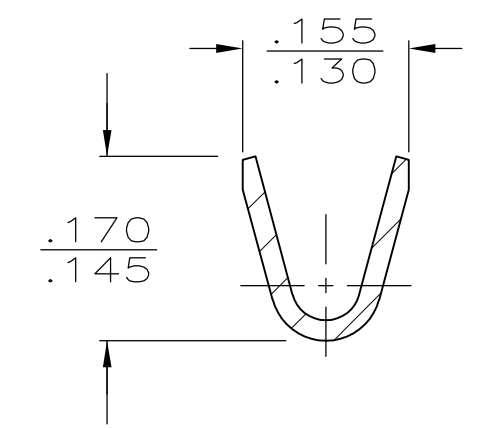
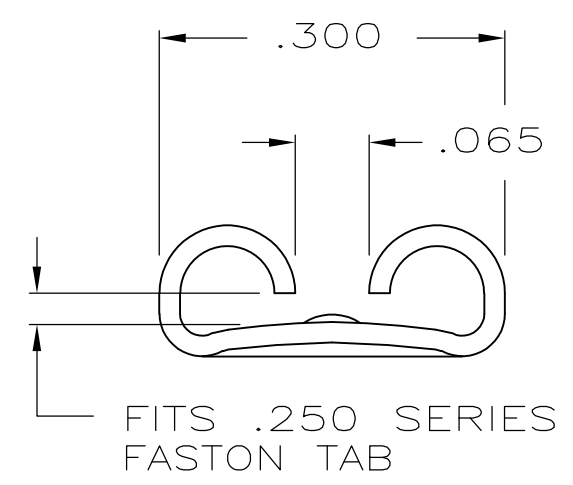
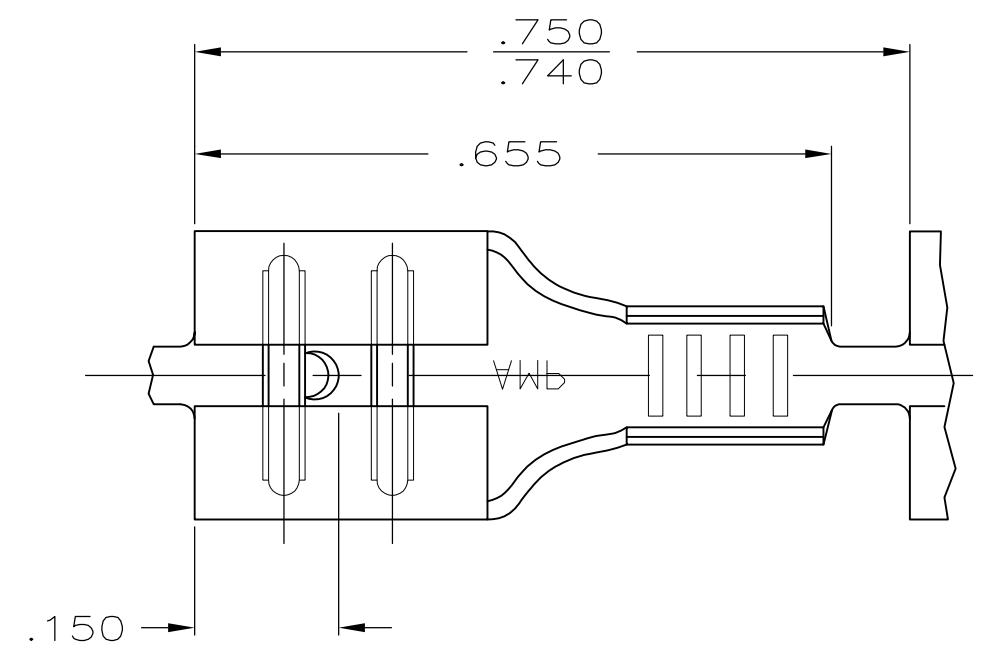
3

2

1

THIS DRAWING IS UNPUBLISHED. RELEASED FOR PUBLICATION  
 © COPYRIGHT - By - ALL RIGHTS RESERVED.

LOC	DIST	REVISIONS			
P	LTR	DESCRIPTION	DATE	DWN	APVD
AF	50	U	REVISED PER ECR-12-013445	18OCT12	KH PD



THIS DRAWING IS A CONTROLLED DOCUMENT.		DWN	JR RUTH	5/28/86
DIMENSIONS: INCHES		CHK	MS FEHER	5/30/86
TOLERANCES UNLESS OTHERWISE SPECIFIED:		APVD	C MEYERS	5/30/86
0 PLC ± -		PRODUCT SPEC	-	
1 PLC ± -		APPLICATION SPEC	-	
2 PLC ± -		WEIGHT	-	
3 PLC ± .015		CUSTOMER DRAWING		
4 PLC ± -		SCALE	5:1	
ANGLES ± -		SHEET	1 OF 1	
MATERIAL	BRASS	FINISH	TIN	

SIZE	18-14	CAGE CODE	.032 ±.001	DRAWING NO	41194	RESTRICTED TO	-
WIRE SIZE	TAB THK.		PART NO		-		

**STE** TE Connectivity

NAME: .250 SERIES FASTON RECEPTACLE

SIZE: A3 CAGE CODE: 00779 DRAWING NO: C-41194

SCALE: 5:1 SHEET: 1 OF 1 REV: U