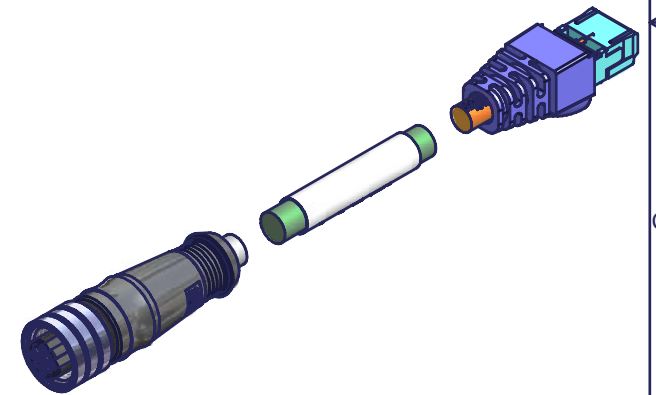
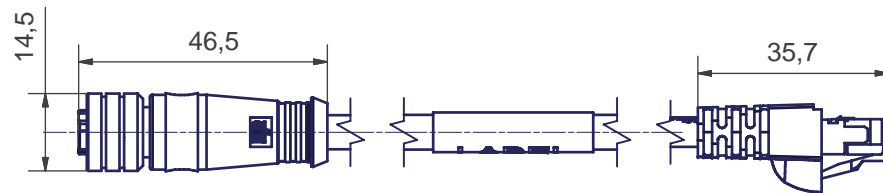
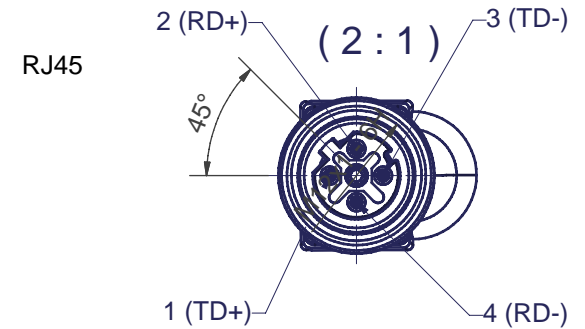
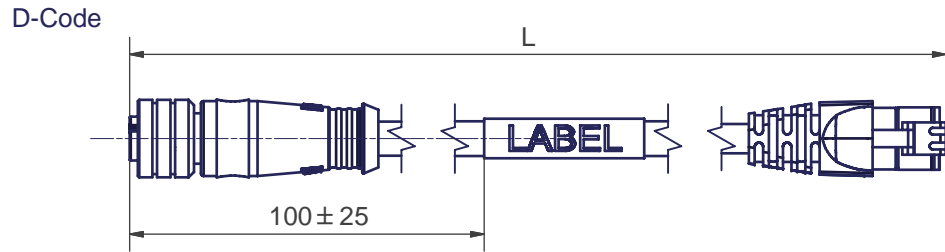
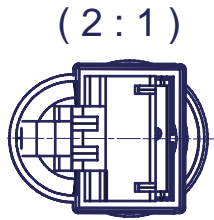


Material.No.	Part No.	L
1201088008	E16A03002M005	500
1201080010	E16A03002M010	1000

For further cable length see generic drawing



Electrical Data:
 According to CAT5e Ethernet Standard.
 M12 D-Code to RJ45
 Poles: 4
 Max. Voltage: 125V
 Max. Current: 1,5A
 Resistance: < 5m Ohm
 Insulation withstand: >100M Ohm
 Protection: IP67
 Temperature range: -25°C to 75°C



Customer Drawing Kundenzzeichnung

EC NO: WEU2010-0341 DRWN: NS CHKD: FP APPR: FP	DESCRIPTION	QUALITY SYMBOLS		GENERAL TOLERANCES (UNLESS SPECIFIED)		DIMENSION STYLE		SCALE	DESIGN UNITS	FIRST ANGLE PROJECTION
		mm	INCH	mm ONLY	DATE	1:1	METRIC			
4	REV	4 PLACES	±---	±----	DRAWN BY	DATE	M12-4P(D)-FE-ST/RJ45-M-0.5M Ethernet Cordset unshielded			
		3 PLACES	±---	±----	FP	28.10.2005				
		2 PLACES	±0,05	±---	CHECKED BY	DATE	MOLEX INCORPORATED			
		1 PLACE	±0,10	±---	US	05.03.2007				
		ANGULAR ± 1/2 °		APPROVED BY	DATE	MATERIAL NO.		DOCUMENT NO.	SHEET NO.	
		DRAFT WHERE APPLICABLE MUST REMAIN WITHIN DIMENSIONS		NS	12.01.2006			E16A03002MXXX	1 OF 4	
				SIZE	THIS DRAWING CONTAINS INFORMATION THAT IS PROPRIETARY TO MOLEX INCORPORATED AND SHOULD NOT BE USED WITHOUT WRITTEN PERMISSION					
				A3						