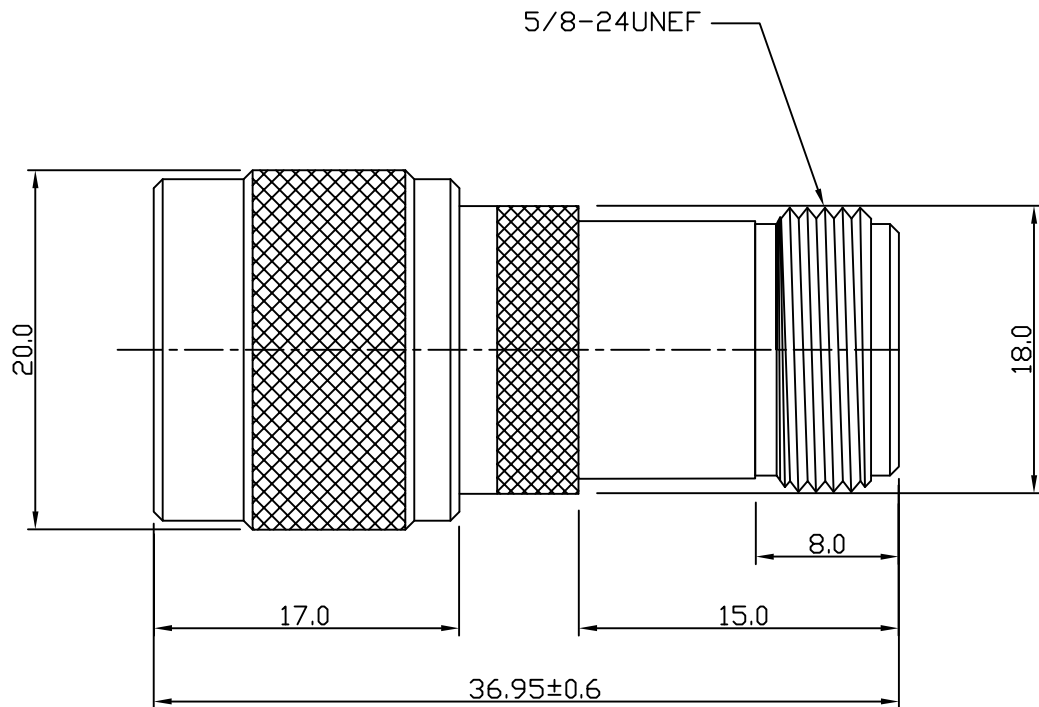


RoHS COMPLIANT



Electrical Characteristics

Nominal Impedance: 50 ohms
 Frequency Range: DC to 11 GHz
 Operating Voltage (rms): 1500 V maximum at sea level
 Dielectric Withstand Voltage (rms): 2500 V maximum at sea level
 Contact Resistance: 1.0 milliohms maximum
 Insulation Resistance: 5000 megohms minimum

Mechanical Characteristics

Mating Cycles: 500 cycles minimum
 Interface Dimensions: Conform to MIL-C-39012

Environmental Characteristics

Temperature Range: -65 °C to +165 °C

	PART	DESCRIPTION
1	Body	Brass, nickel plated
2	Insulator	PTFE
3	Contact	Brass, gold plated

Dimensions added	JT	2	05 Mar 10
First Issue	BT	1	23 Jan 08
DESCRIPTION OF REVISION	APPVD	ISS	DATE



Cinch Connectivity Solutions
 7-13 Russel Way,
 Widford Industrial Estate,
 Chelmsford, Essex,
 CM1 3AA, UK.
 Tel: +44 (0) 1245 359515
 Fax: +44 (0) 1245 358938

SCALE: Not To Scale

DIMENSIONS: mm

TOLERANCES:
 ± 0.2mm unless
 otherwise stated

DRAWN BY:

B Thomas

CHECKED BY:

M Spooner

APPROVED BY:

M Spooner

DATE:

23Jan 08

TITLE:

N Plug to N Jack

PART NUMBER:

VNA518

PAGE: 1 of 1