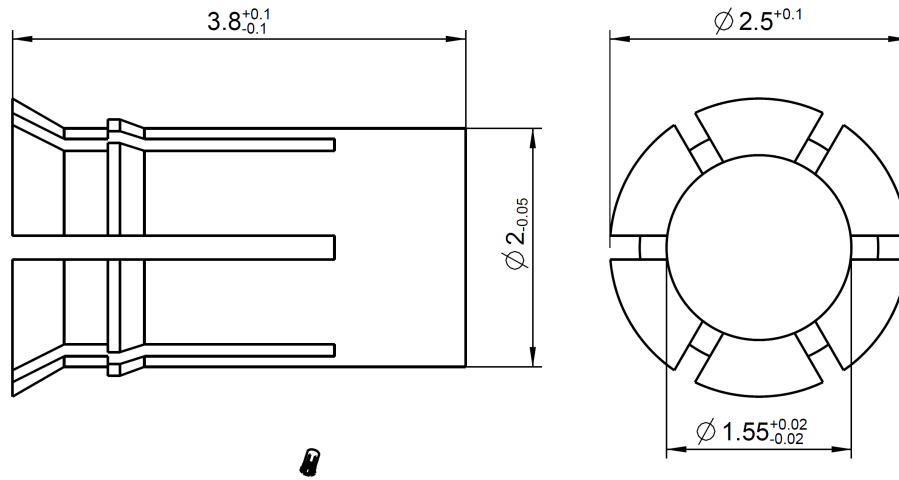


RPC-7

Center contact

**07P121-000/21**



All dimensions are in mm; tolerances according to ISO 2768 m-H

**Interface**

According to IEC 457-2

**Documents**

User Manual 07W031-000/91

**Material and plating**

**Connector parts**

Center contact

**Material**

CuBe

**Plating**

AuroDur®, gold plated

**Mechanical data**

Mating cycles ≥ 5000

**Environmental data**

Temperature range -40°C to +85°C  
 Thermal shock MIL-STD-202, Method 107, Condition B  
 Corrosion MIL-STD-202, Method 101, Condition B  
 Vibration MIL-STD-202, Method 204, Condition D  
 Shock MIL-STD-202, Method 213, Condition I  
 Moisture resistance MIL-STD-202, Method 106  
 RoHS compliant

**Tooling**

Collet Extractor 07W031-000

**Weight**

0.04 g/pce

While the information has been carefully compiled to the best of our knowledge, nothing is intended as representation or warranty on our part and no statement herein shall be construed as recommendation to infringe existing patents. In the effort to improve our products, we reserve the right to make changes judged to be necessary.

Draft	Date	Approved	Date	Rev.	Engineering change number	Name	Date
Armin Maiwalder	06.10.06	Herbert Babinger	28.11.16	f00	16-1934	M.Ruf	28.11.16

Rosenberger Hochfrequenztechnik GmbH & Co. KG P.O.Box 1260 D-84526 Tittmoning Germany <a href="http://www.rosenberger.de">www.rosenberger.de</a>				Tel. : +49 8684 18-0 Email : <a href="mailto:info@rosenberger.de">info@rosenberger.de</a>		Page 1 / 1
--	--	--	--	--	--	---------------