

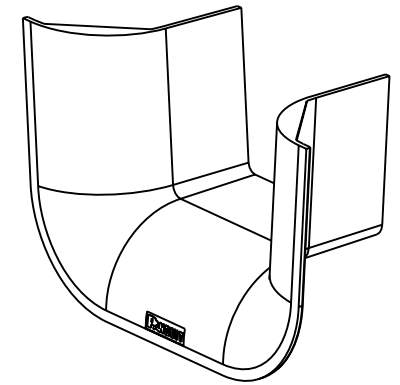
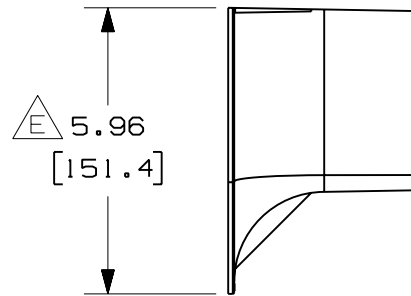
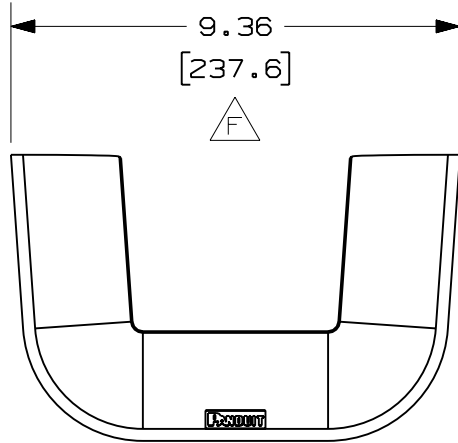
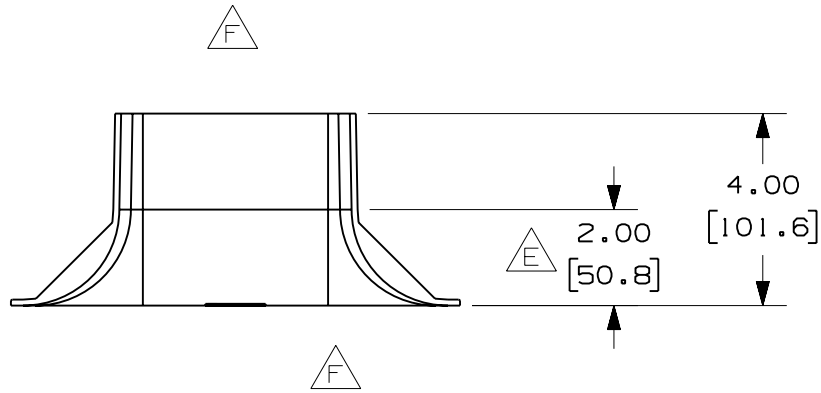
THIS COPY IS PROVIDED ON A RESTRICTED BASIS AND IS NOT TO BE USED IN ANY WAY DETRIMENTAL TO THE INTERESTS OF PANDUIT CORP.

| | |
|---------------------|-----------------------------|
| PANDUIT PART NUMBER | WEIGHT |
| FRTR4X4 | 0.38 LB/EACH (173g/EACH) |



△C NOTES:

1. SEE CURRENT CATALOG FOR ADDITIONAL PART SUFFIXES TO INDICATE COLOR AND/OR PACKAGE QUANTITY.
2. THE FIBERRUNNER 4x4 3-SIDED BEND RADIUS CONTROL TRUMPET IS DESIGNED WITH A MINIMUM 2" (50.8) BEND RADIUS TO PROTECT FIBER OPTIC CABLES.
3. DIMENSIONS IN PARENTHESES ARE IN METRIC.



ENG. REF.: D37847BC_DC_FRTR4X4_01.prt

CAD FILENAME/LAYERS: △B FRTR4X4.pdf

PANDUIT CORP TINLEY PARK, ILLINOIS
FIBERRUNNER 4x4 3-SIDED BEND RADIUS CONTROL TRUMPET (FRTR4X4)
 △A CUSTOMER DRAWING

UNLESS OTHERWISE SPECIFIED, DIMENSIONAL TOLERANCES ARE:
 (.X) ± (.XXX) ±
 (.XX) ± .03 (.8) ANGLES ±

UNLESS OTHERWISE SPECIFIED, ALL DIMENSIONS ARE GIVEN IN INCHES, THIRD ANGLE PROJECTION.

| | | | | | | | | |
|-----|---------|------|-----|---|----------|-----|------|----------|
| - | ----- | --- | --- | F. REMOVED DIMENSIONS E. RELOCATED DIMENSIONS | ----- | -- | -- | |
| - | ----- | --- | --- | D. REVISED PART WEIGHT C. REVISED GENERAL NOTES | ----- | -- | -- | |
| 1 | 7-14-06 | DTP | RN | B. REVISED CAD FILENAME A. REVISED DRAWING TITLE | 37847-67 | RN | RN | |
| R | 7-18-01 | JHNU | RPA | RELEASED TO PRODUCTION | 37847-67 | HIW | HIW | |
| REV | DATE | BY | CHK | DESCRIPTION | ECN | R | CUST | SUP GMBH |

| | |
|----------|---------|
| DRAWN BY | JHNU |
| DATE | 7-18-01 |
| CHK'D | RPA |

MAT'L: ABS

| | |
|-------------|----------|
| SCALE: NONE | |
| DRAWING NO. | 37847-67 |
| DWG SIZE | A |