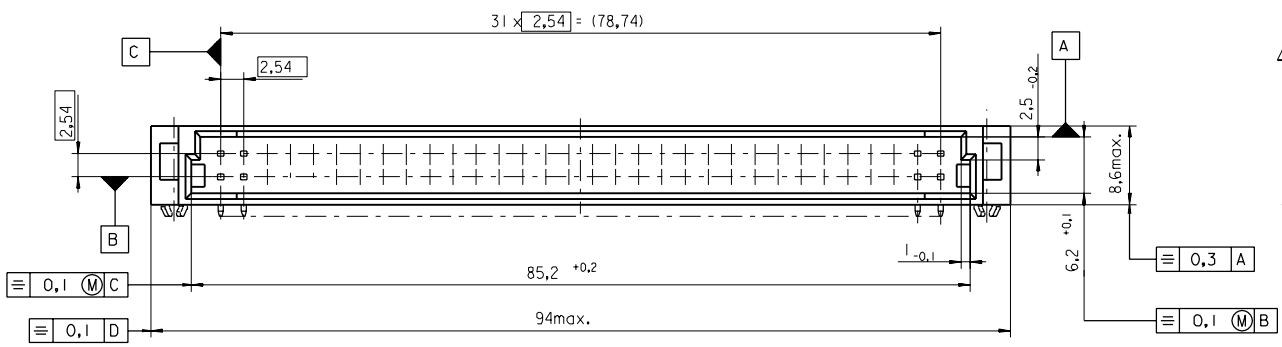
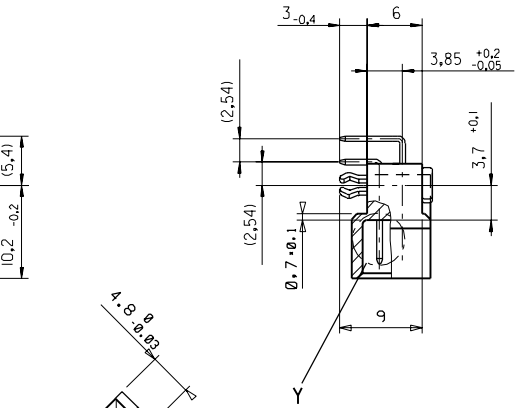
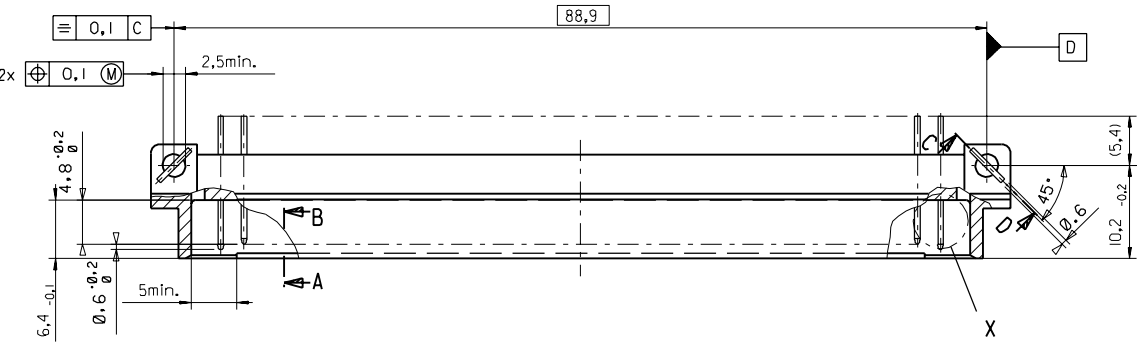
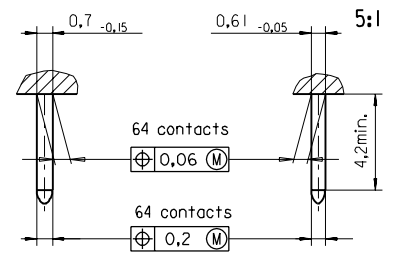


PART NO.
DWG. NO.

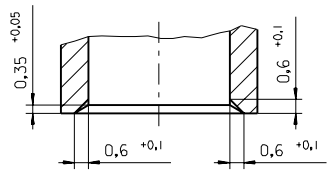


View X 5:1 View Y 5:1



Section C - D

Section A - B 5:1



FIRST ANGLE PROJECTION		REVISE ONLY ON CAD SYSTEM		SH.	REV.
first release see ECN No. 1887	L TR REVISIONS FOR PREVIOUS REVISIONS SEE MRI LIST	UNLESS OTHERWISE SPECIFIED TOLERANCES: ANGULAR ±2°	DRWG BY SIGN Ca	CAD/CAM PROJECT NAME 85001000 811	
		INCH METRIC	CHK'D BY SIGN KN	THIS DRAWING CONTAINS INFORMATION THAT IS PROPRIETARY TO MOLEX INC. & SHOULD NOT BE USED WITHOUT WRITTEN PERMISSION	
		3 PLACE ± . ±	APP'D BY SIGN	TITLE 64 pos. Male connector acc. DIN 41612 style B Dimensions	
		2 PLACE ± . ±	SCALE 2:1	SHEET NO. DATE 1 OF 95/06/06	
	DESIGN DIMENSION <input checked="" type="checkbox"/> MM			MOLEX MOLEX EUROPE	
	EQUIVALENT DIMENSION <input type="checkbox"/> MM			SHEET NO. DATE 1 OF 95/06/06	
	IF TWO DIMENSIONS ARE SHOWN THE UPPER IS THE DESIGN DIMENSION, LOWER IS SECONDARY			PART NO. DWG NO. SIZE SDA-85001-0001 B	

VIEW ON TERMINATION SIDE

∞	Y	B	B	B	B	B	B	B	B	B	B	B	B	B	B	B	B	B	B	B	Y
◁	Z	A	A	A	A	A	A	A	A	A	A	A	A	A	A	A	A	A	A	A	Z

- A = 28 STANDARD CONTACTS L=3
- B = 28 STANDARD CONTACTS L=3
- Z = 4 FMLB CONTACTS ∅.6 L=3
- Y = 4 FMLB CONTACTS ∅.6 L=3
- S = 64 TOTAL NUMBER OF CONTACTS

Marking	Standard
Performance level	G2/0 = Contact area level2 / Termination tin
Flux proof	no
Fixing clip	no
Dimensions	SDA-85001-0001 sht.1
Technical Data	PS-85003-0001

Y	G2/0	b1,2,3,32,
Z	G2/0	a1,2,3,32
B	G2/0	b3-30
A	G2/0	a3-30
Contact symbol	Perform. level	Contact position number

C	see ECN No. 2204	96/07/18 Cd
	REVISIONS	
LTR	FOR PREVIOUS REVISIONS SEE MRI LIST	

UNLESS OTHERWISE SPECIFIED TOLERANCES: ANGULAR ± 2°	DRWG BY	SIGN
INCH	Cd	
3 PLACE ± .	CHK'D BY	SIGN
2 PLACE ± .	KN	
1 PLACE ± .	APPD BY	SIGN
DRAFT WHERE APPLICABLE MUST REMAIN WITHIN DIMENSIONS	SCALE	
DESIGN DIMENSION <input type="checkbox"/> MM <input type="checkbox"/> IN.		
EQUIVALENT DIMENSION <input type="checkbox"/> MM <input type="checkbox"/> IN.		
IF TWO DIMENSIONS ARE SHOWN, THE UPPER IS THE DESIGN DIMENSION, LOWER IS SECONDARY		

REVISE ONLY ON CAD SYSTEM	CAD/CAM PROJECT NAME	SH. REV.
	s8500103 s81	THIS DRAWING CONTAINS PROPRIETARY TO MOLEX INC. & SHOULD NOT BE USED WITHOUT WRITTEN PERMISSION
TITLE	SHEET NO.	DATE
64 pos. Male connector acc. DIN 41612 style B contacts arrangement	1 OF 1	95/05/24
molex® MOLEX EUROPE	DWG NO.	SIZE
	85001-0385	SDA-85001-0385 A