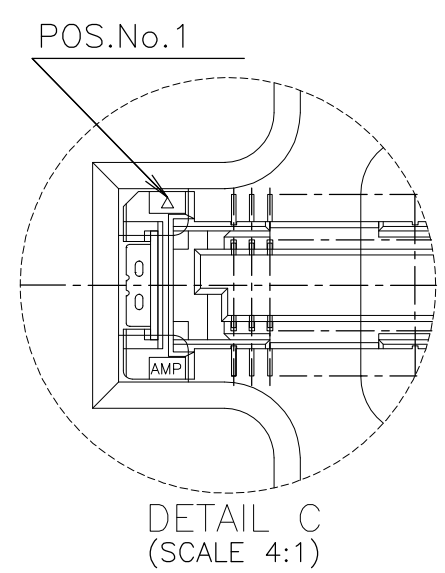
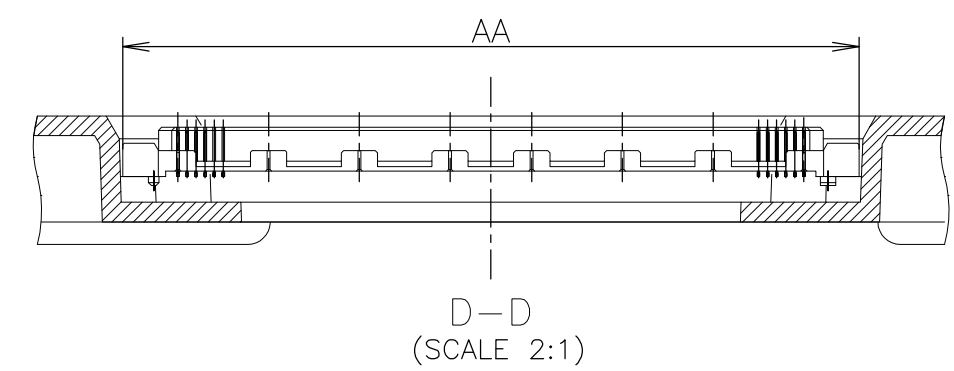
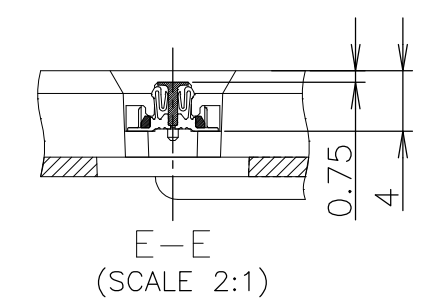
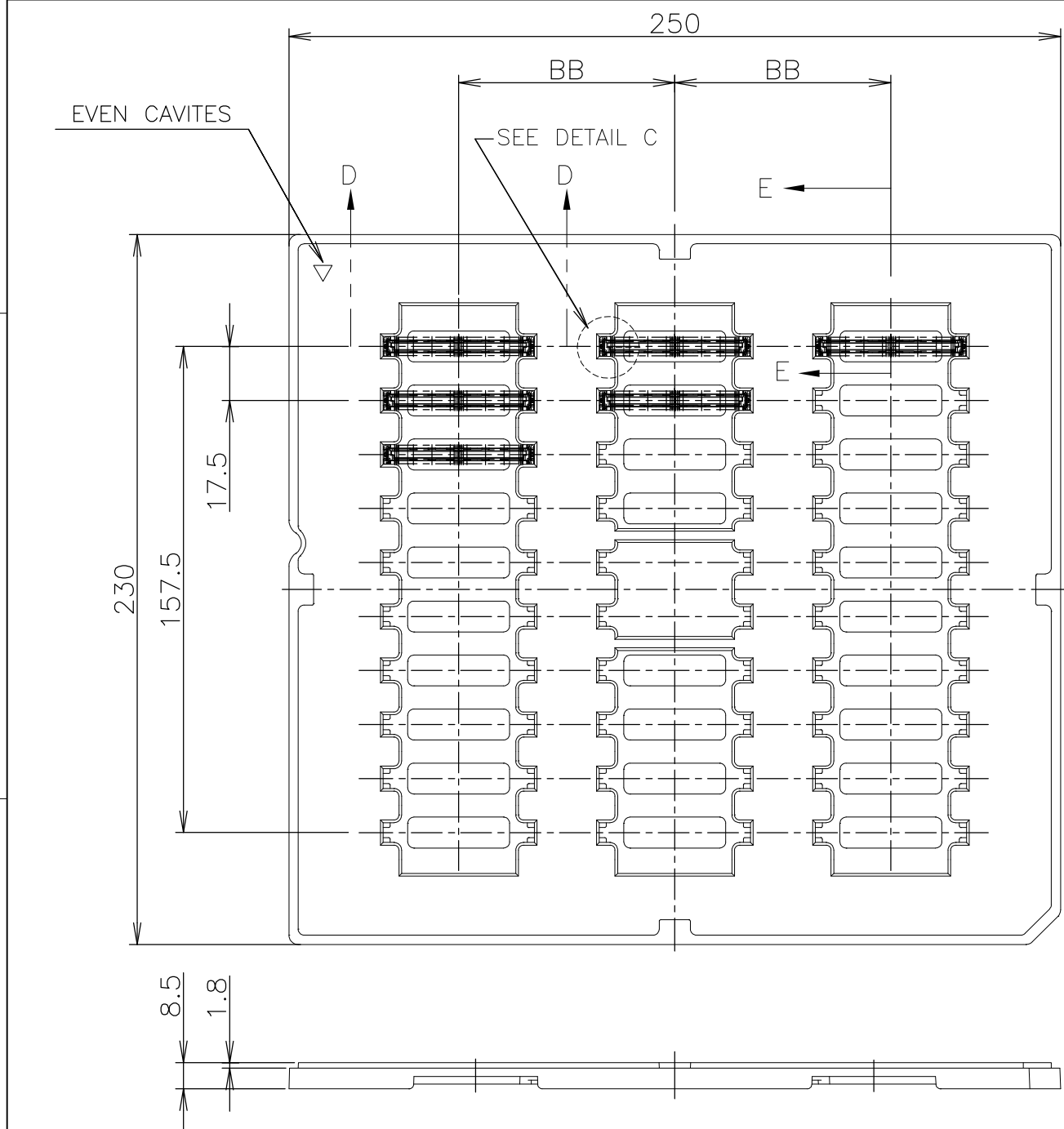


THIS DRAWING IS UNPUBLISHED. RELEASED FOR PUBLICATION OCT, 1995.  
 © COPYRIGHT 1995 BY TYCO ELECTRONICS CORPORATION. ALL RIGHTS RESERVED.

LOC	DIST	REVISIONS 変更			DATE	DWN	APVD
J		P	LTR	DESCRIPTION			
		A	REVISED	ECR-08-000340	01FEB08	T.T	T.F



GENERAL TOLERANCE  
一般公差

10 ≥ ±0.2  
30 ≥ >10: ±0.25  
100 ≥ >30: ±0.3  
ANGLES: ±3°

THIS DRAWING IS A CONTROLLED DOCUMENT.

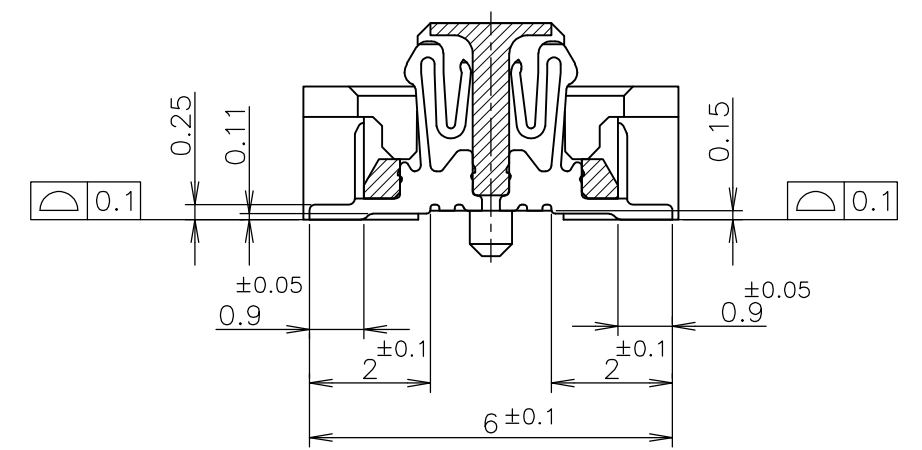
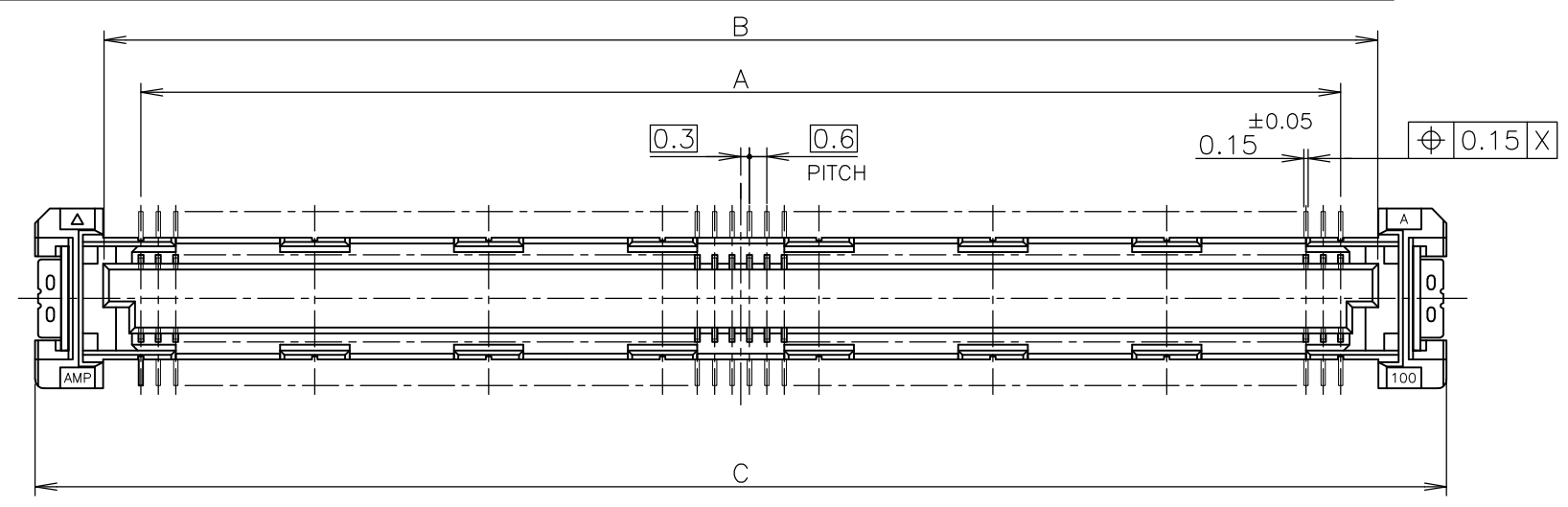
DIMENSIONS: 単位: 耗 mm	TOLERANCES UNLESS OTHERWISE SPECIFIED: 一般公差
	0 PLC ± - 1 PLC ± - 2 PLC ± - 3 PLC ± - 4 PLC ± - ANGLES ± -
MATERIAL 材料	FINISH 仕上

SEALANT	AVAILABLE	3	30	70	54.7	160	1-5316560-1
	AVAILABLE	↑	↑	↑	48.7	140	1- -0
	NOT AVAILABLE				42.7	120	-9
	NOT AVAILABLE	↓	↓	↓	36.7	100	-8
	NOT AVAILABLE	3	30	70	33.7	90	-7
	AVAILABLE	5	50	43	30.7	80	-6
	NOT AVAILABLE	↑	↑	↑	27.7	70	-5
					24.7	60	-4
					21.7	50	-3
	NOT AVAILABLE	5	50	43	18.7	40	-2
				15.7	30	5316560-1	
SEALANT	TOOLING STATUS	ROW	QTY	BB	AA	POS.	PART NO.

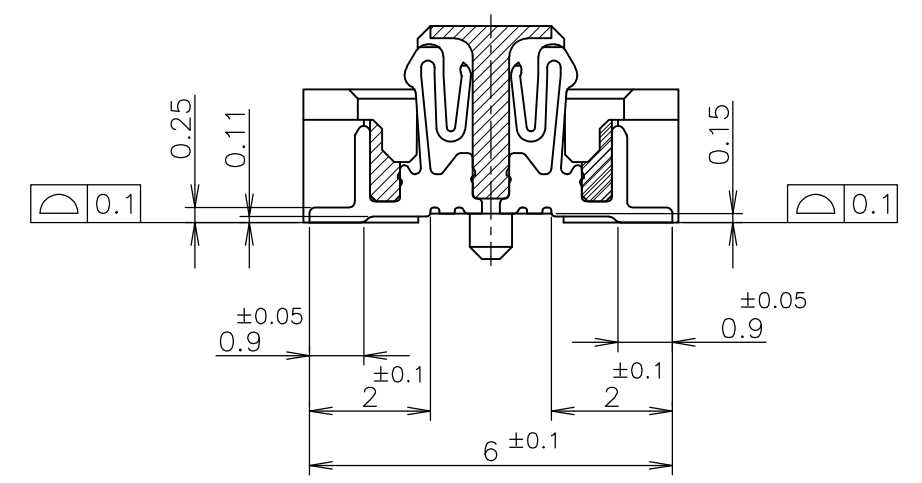
DWN LEO ZHOU 17NOV04		Tyco Electronics Corporation	
CHK STEVEN YAO 17NOV04		Kawasaki, Japan	
APVD I.ENOMOTO 17NOV04		NAME 名称	
PRODUCT SPEC 製品規格 108-60047		HARD TRAY ASSY FH 0.6BTB CONNECTOR REC 4H W/G-CONT	
APPLICATION SPEC 取付適用規格 114-5255		SIZE	CAGE CODE
WEIGHT		A3	00779
CUSTOMER DRAWING		DRAWING NO 番号	RESTRICTED TO
		G-5316560	
		SCALE 尺度 1:2	SHEET 1 OF 3
		REV A	

THIS DRAWING IS UNPUBLISHED. RELEASED FOR PUBLICATION OCT, 1995.  
 © COPYRIGHT 1995 BY TYCO ELECTRONICS CORPORATION. ALL RIGHTS RESERVED.

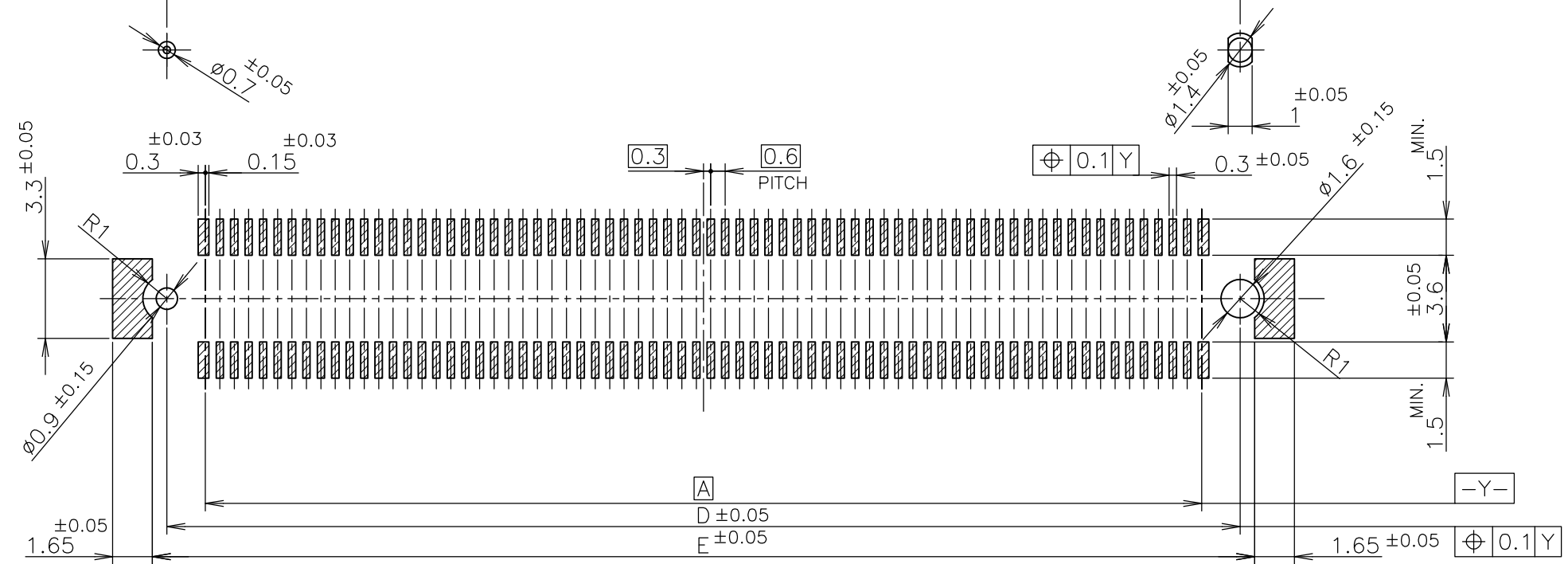
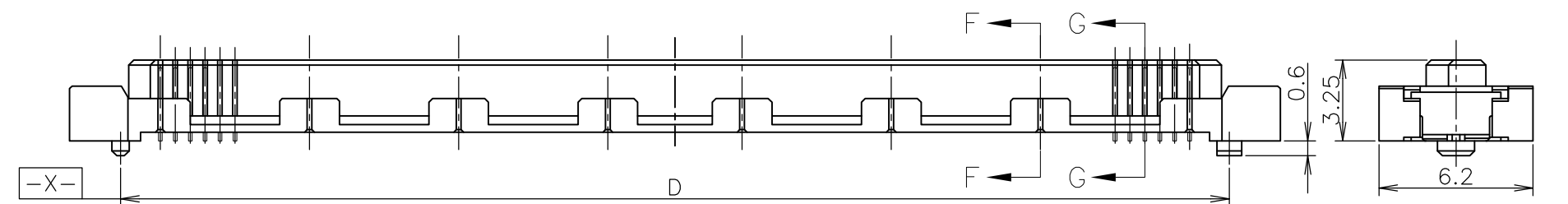
LOC	DIST	REVISIONS			DATE	DWN	APVD
J		P	LTR	DESCRIPTION			
				SEE SHEET 1	-	-	-



G-G  
(SIGNAL POSITION)  
(SCALE 8:1)



F-F  
(GROUND POSITION)  
(SCALE 8:1)



AVAILABLE	51.8	50.6	54.7	50	47.4	160	1-5316560-1
AVAILABLE	45.8	44.6	48.7	44	41.4	140	1-5316560-0
NOT AVAILABLE	39.8	38.6	42.7	38	35.4	120	-9
AVAILABLE	33.8	32.6	36.7	32	29.4	100	-8
NOT AVAILABLE	30.8	29.6	33.7	29	26.4	90	-7
AVAILABLE	27.8	26.6	30.7	26	23.4	80	-6
	24.8	23.6	27.7	23	20.4	70	-5
	21.8	20.6	24.7	20	17.4	60	-4
	18.8	17.6	21.7	17	14.4	50	-3
AVAILABLE	15.8	14.6	18.7	14	11.4	40	-2
NOT AVAILABLE	12.8	11.6	15.7	11	8.4	30	5316560-1
TOOLING STATUS	E	D	C	B	A	POS	△ PART NO.

REFERENCE P.C.BOARD LAYOUT

THIS DRAWING IS A CONTROLLED DOCUMENT.		DWN	Tyco Electronics Corporation Kawasaki, Japan	
DIMENSIONS: 単位: 耗 mm		CHK	NAME 名称	
TOLERANCES UNLESS OTHERWISE SPECIFIED: 一般公差		APVD	HARD TRAY ASSY FH 0.6BTB CONNECTOR REC 4H W/G-CONT	
0 PLC ± 0.3		PRODUCT SPEC 製品規格	SIZE	CAGE CODE
1 PLC ± 0.3		APPLICATION SPEC 取付適用規格	A3	00779
2 PLC ± 0.3		WEIGHT	DRAWING NO 番号	RESTRICTED TO
3 PLC ± 0.3			G-5316560	
4 PLC ± 0.3				
ANGLES ± 3'				
MATERIAL 材料	FINISH 仕上	CUSTOMER DRAWING		
△ 1	△ 2	SCALE 尺度	SHEET	REV
		4:1	2 OF 3	A

THIS DRAWING IS UNPUBLISHED. RELEASED FOR PUBLICATION OCT, 1995.

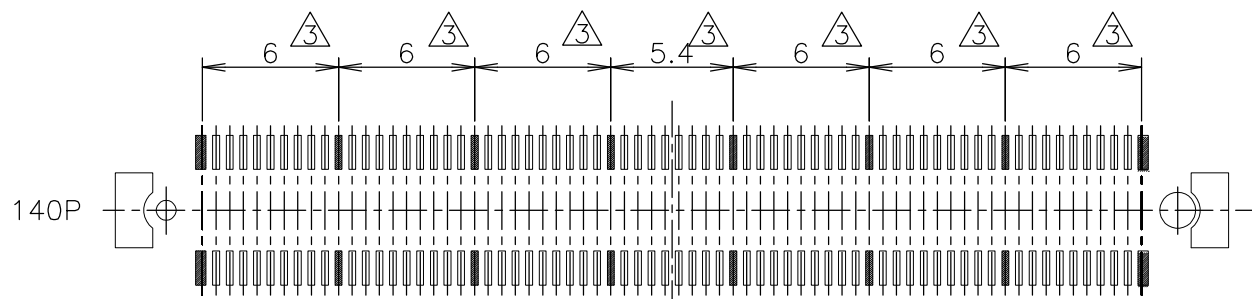
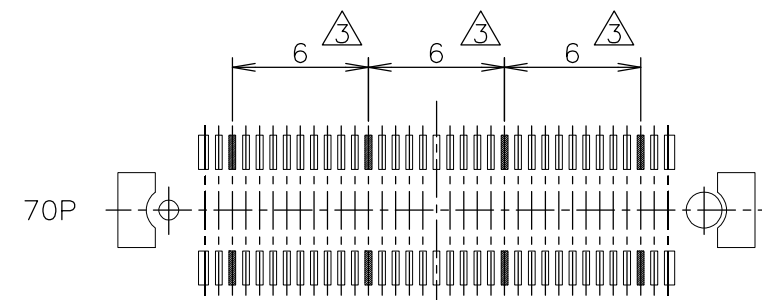
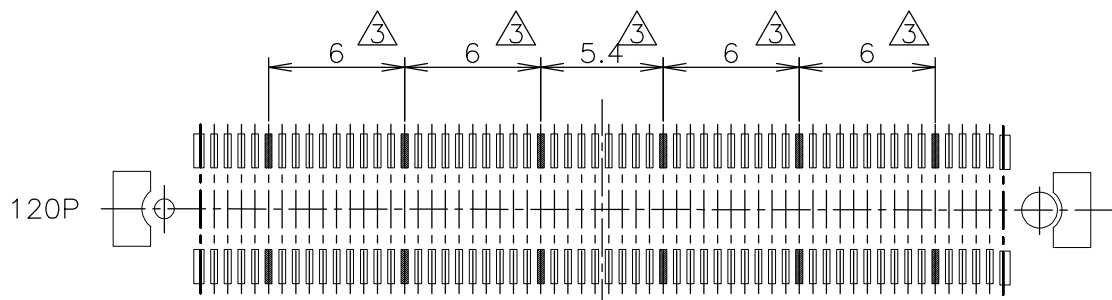
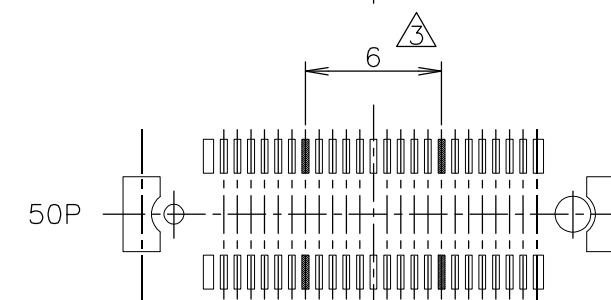
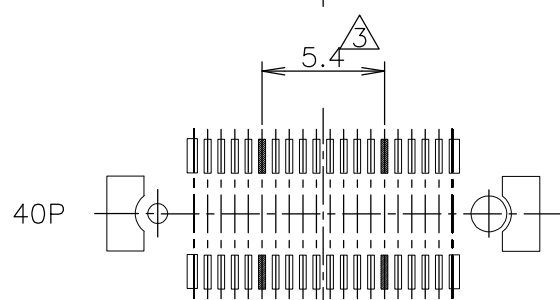
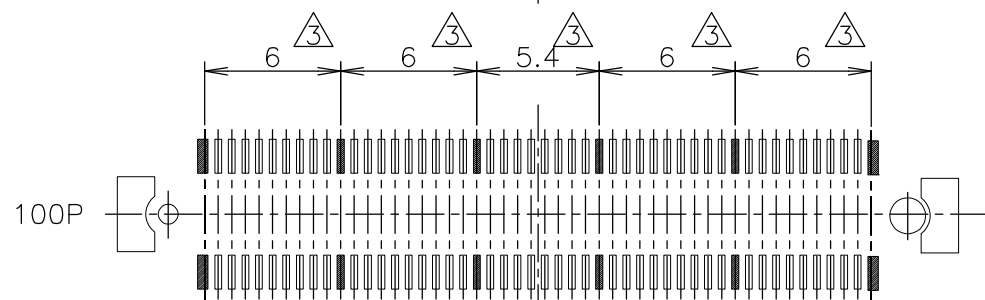
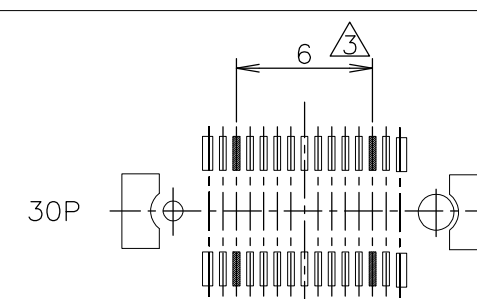
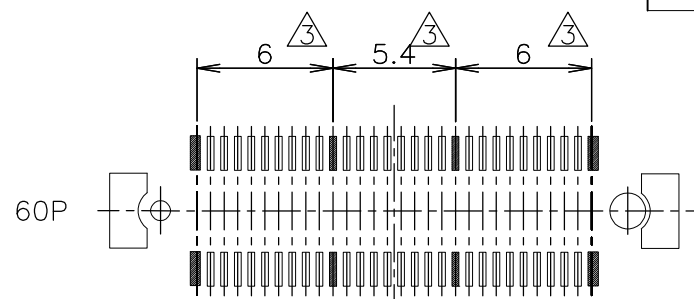
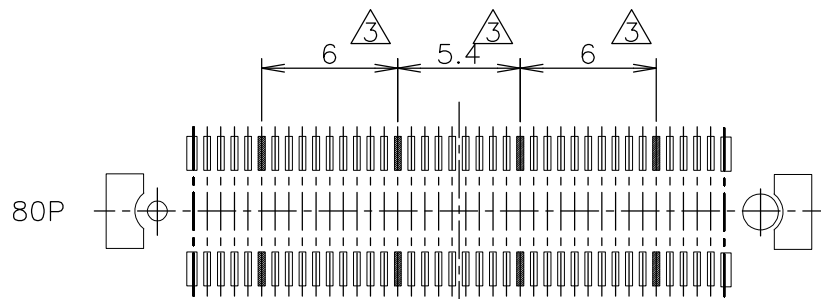
© COPYRIGHT 1995 BY TYCO ELECTRONICS CORPORATION. ALL RIGHTS RESERVED.

LOC J DIST

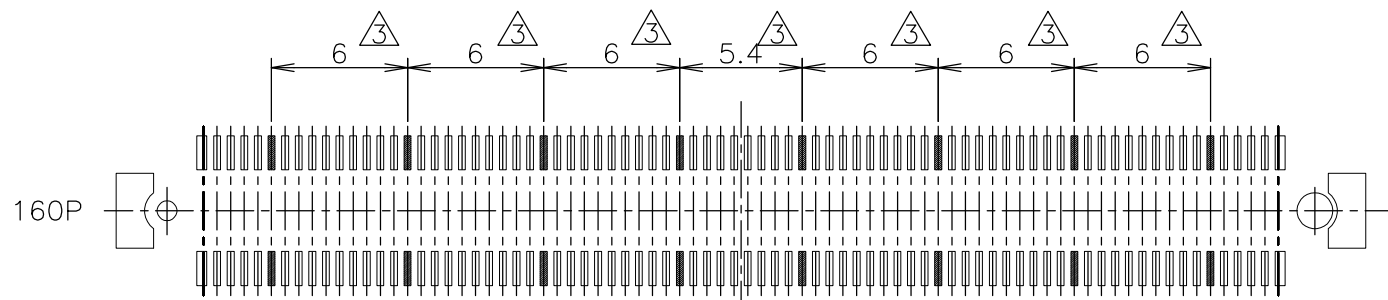
REVISIONS

変更

P	LTR	DESCRIPTION	DATE	DWN	APVD
	-	SEE SHEET 1	-	-	-



- ① MATERIAL ; HOUSING : HIGH TEMP THERMO PLASTIC  
UL94V-0  
CONTACT : COPPER ALLOY
- ② FINISH ; UNDER PL Ni 0.0013mm MIN ALL OVER.  
CONTACT AREA 0.0002 MIN Au PL.  
SOLDERING AREA: SIGNAL POS 0.00005 MIN Au PL.  
GROUND POS 0.001 MIN TIN PL.
- ③ THIS POSITION IS GROUND CIRCUIT.
- ④ PACKING SEE SHEET 1.



THIS DRAWING IS A CONTROLLED DOCUMENT.		DWN	Tyco Electronics Corporation Kawasaki, Japan		
DIMENSIONS: 単位: 耗 mm		CHK	NAME 名称		
TOLERANCES UNLESS OTHERWISE SPECIFIED: 一般公差		APVD	HARD TRAY ASSY FH 0.6BTB CONNECTOR REC 4H W/G-CONT		
0 PLC ± 0.3 1 PLC ± 0.3 2 PLC ± 0.3 3 PLC ± 0.3 4 PLC ± 0.3 ANGLES ± 3'		PRODUCT SPEC 製品規格	SIZE	CAGE CODE	DRAWING NO 番号
MATERIAL 材料		APPLICATION SPEC 取付適用規格	A3	00779	G-5316560
FINISH 仕上		WEIGHT	RESTRICTED TO		
CUSTOMER DRAWING			SCALE 尺度 3:1	SHEET 3 OF 3	REV A