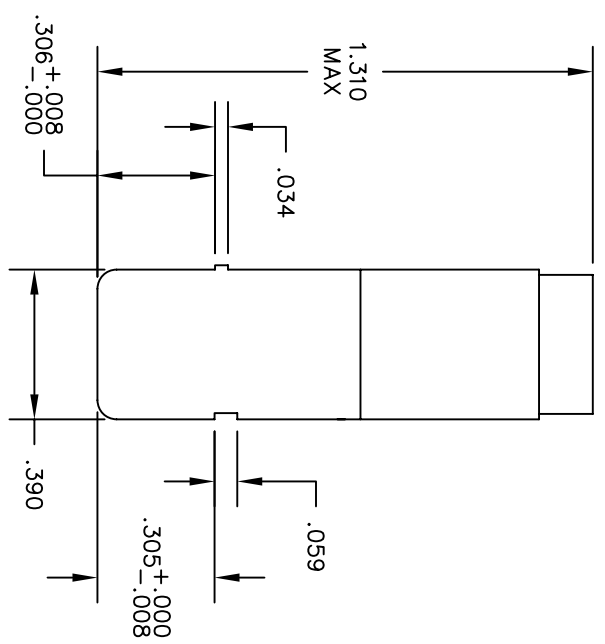
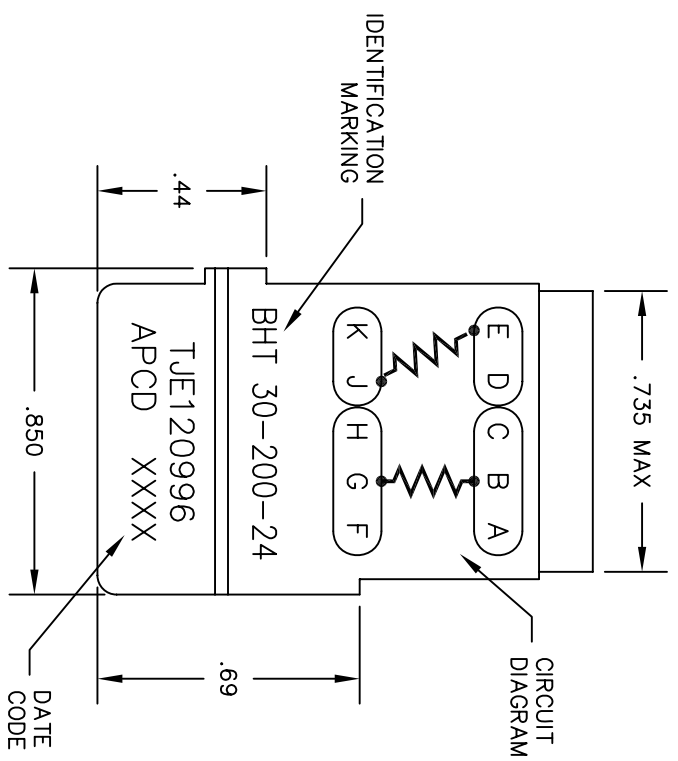
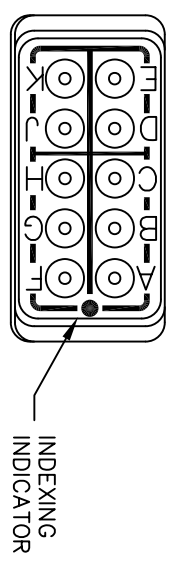


REV	ECN	APP'D
-	6094	



- NOTES:
1. MATERIALS:  
HOUSING - POLYETHERIMIDE, COLOR: BLACK.  
GROMMET - SILICONE ELASTOMER, COLOR: BLUE  
RESISTORS - 220Ω±2%, 1/4 W, RLR07C2200GS, QTY: 2  
2. MODULE ACCEPTS M39029/1-101 PIN CONTACTS (NOT INCLUDED)

DIMENSIONS	ANSI Y14.5M	TOLERANCES	.XX ±.01	PROJECTION	SPECIFICATION			TITLE
	UNITS: INCHES		.XXX ±.005					
ACAD FILE	ACAD FILE	ANGLES ±2°			ENGR	J. TON	7-31-07	RESISTOR, 220Ω, 1/4W
ORIGINAL	THIS DOCUMENT CONTAINS PROPRIETARY INFORMATION WHICH IS THE CONFIDENTIAL PROPERTY OF PCD, INC. PEABODY, MA, USA	PROJECTION	CHKD	DATE CODE	APPD	SIZE	DWG NO.	REV
			APPD		A	TUE120996_C	-	
			SCALE: 2X	SHEET 1 OF 1				