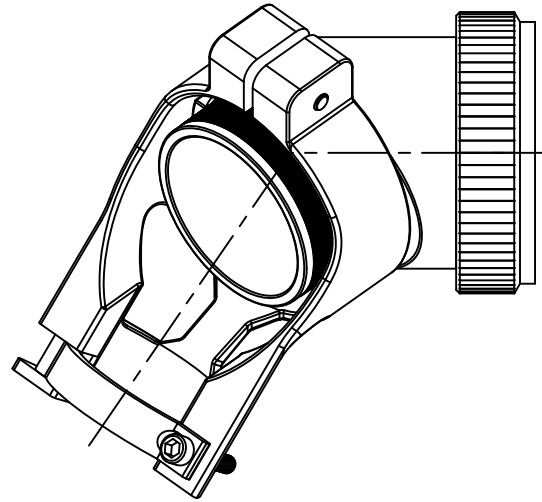


THIS DRAWING AND THE INFORMATION SET FORTH HEREON ARE THE PROPERTY OF TYCO ELECTRONICS AND ARE TO BE HELD IN TRUST AND CONFIDENCE. PUBLICATION, DUPLICATION, DISCLOSURE, OR USE FOR ANY PURPOSE NOT EXPRESSLY AUTHORIZED IN WRITING BY TYCO ELECTRONICS IS PROHIBITED.

REVISIONS			
LTR	DESCRIPTION	DATE	APPROVED
A	RELEASED PER ECO-11-025206	12/16/11	B. WONG




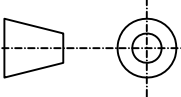
SPINLOCK ADAPTER, SADDLE CLAMP

NOTES:

- THIS PRODUCT IS DESIGNED TO TERMINATE A BRAIDED CABLE SHIELD AND PROVIDE A STRAIN RELIEF
- SEE DRAWING "TR" FOR DETAIL ON TINEL-LOCK RING. RINGS ARE DESIGNED TO BE HEATED ELECTRICALLY. ALL RINGS ARE MARKED WITH THERMOCHROMIC PAINT WHICH CHANGES COLOR WHEN INSTALLATION TEMPERATURE IS REACHED.
- ADAPTER TO BE PERMANENTLY MARKED WITH CODE IDENT. NO. AND PART NO. LESS RING DESIGNATOR (E.G.: 06090-XXXXXXXX-XXXX).
- ADAPTER MATES TO MIL-C-38999, SERIES I & II, CLASS E & T; MS27466, MS27467 MS27468, MS27472, MS27473, MS27479, MS27480, MS27481, MS27484, MS27497 MS27652, MS27653, MS27656 CONNECTORS.
- INSTALLATION PROCEDURE MIP-103.
- PERFORMANCE SPECIFICATION MPS-103.
- FOR ADDITIONAL ORDERING INFORMATION SEE CHOO-0250-019

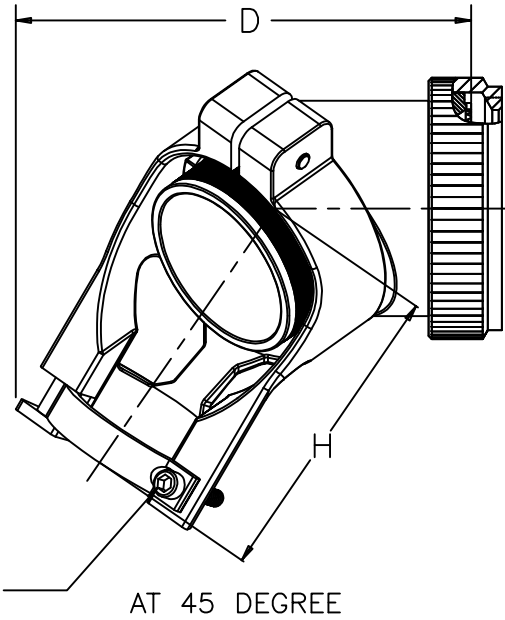
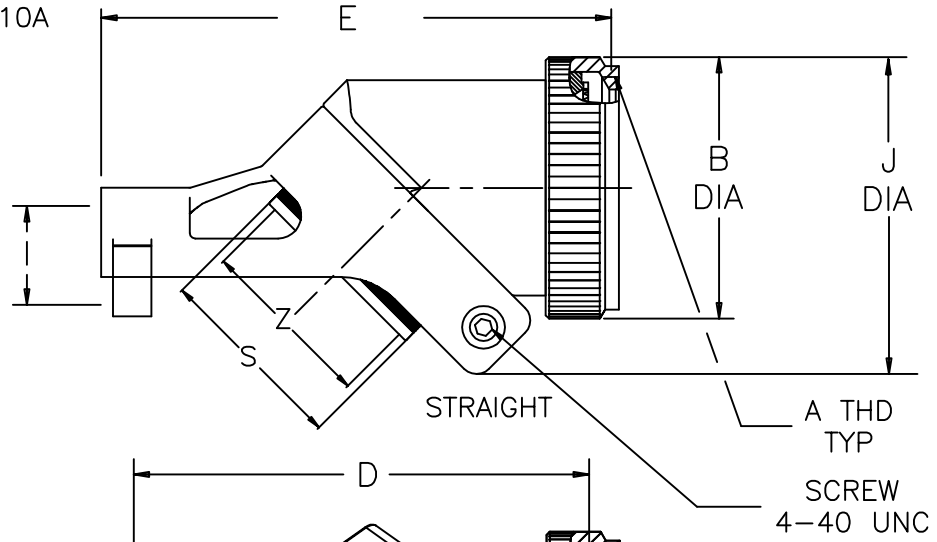
2011 Tyco Electronics Corporation. All rights reserved.

Raychem Adapters
CUSTOMER DRAWING

UNLESS OTHERWISE SPECIFIED DIMENSIONS ARE IN INCHES AND TOLERANCES ARE: .XXX ± — .XX ± — ± —	DRAWN D JAIN	DATE 8AUG2011		TE Connectivity	
	CHECKED BERT W	DATE 8AUG2011			
	APPROVED	DATE			
MATERIAL SEE NOTES	THIRD ANGLE PROJECTION 		TITLE SPIN-LOCK ADAPTER CODE 41		
FINISH —	CAD NAME SLC41_a.dwg	SIZE A	CAGE CODE: 06090	DWG. NO. SLC41	REV A
	RPN: —	SCALE: NONE		SHEET 1 OF 3	

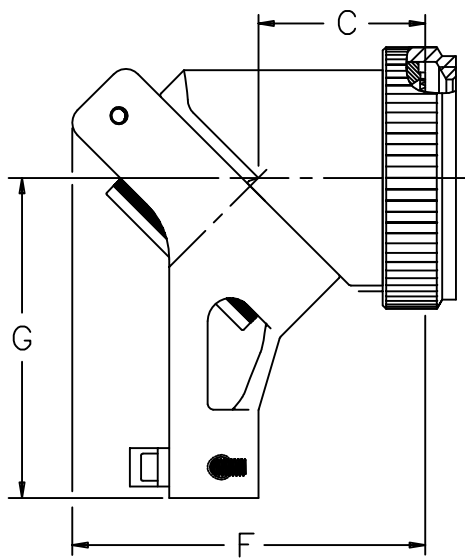
REVISIONS			
LTR	DESCRIPTION	DATE	APPROVED
A	RELEASED PER ECO-11-025206	12/16/11	B. WONG

e.g SLC 41AB - 1610A



CLAMP SCREW
SEE TABLE ON SHEET 3
FOR DETAILS

AT 45 DEGREE



AT 90 DEGREE

Raychem Adapters

CUSTOMER DRAWING

If this document is printed it becomes uncontrolled. Check for the latest revision

SIZE A	CAGE CODE: 06090	DWG. NO. SLC41	REV A
SCALE: NONE		SHEET 2 OF 3	

REVISIONS			
LTR	DESCRIPTION	DATE	APPROVED
A	RELEASED PER ECO-11-025206	12/16/11	B. WONG

TABLE I

ORDER NO.	SHELL SIZE		AVAILABLE ENTRY SIZES		A METRIC CLASS	THD 6H	B DIA MAX	C MAX DIM	D MAX DIM	E MAX DIM	F MAX DIM	CLAMP SCREW
	SER I	SER II	SMALL	LARGE								
08	09	8	04	-	.438-28 UNEF		.61 [15.49]	.68 [17.21]	1.83 [46.48]	1.80 [45.72]	1.30 [33.02]	1-64 UNC
10	11	10	04	06	.562-24 UNEF		.73 [18.54]	.72 [18.28]	1.88 [47.75]	1.96 [49.78]	1.41 [35.81]	1-64 UNC
12	13	12	06	08	.688-24 UNEF		.85 [21.59]	.85 [21.59]	2.02 [50.80]	2.15 [54.61]	1.54 [39.11]	1-64 UNC
14	15	14	08	10	.812-20 UNEF		1.01 [25.65]	1.01 [25.65]	2.14 [54.35]	2.38 [60.45]	1.81 [45.97]	5-40 UNC
16	17	16	10	12	.938-20 UNEF		1.14 [28.95]	1.01 [25.65]	2.13 [54.10]	2.47 [62.73]	1.89 [48.00]	5-40 UNC
18	19	18	10	14	1.062-18 UNEF		1.28 [32.51]	1.01 [25.65]	2.24 [56.89]	2.65 [67.31]	1.96 [49.78]	5-40 UNC
20	21	20	12	16	1.188-18 UNEF		1.40 [35.56]	1.08 [27.43]	2.23 [56.64]	2.75 [69.85]	2.08 [52.83]	5-40 UNC
22	23	22	14	18	1.312-18 UNEF		1.54 [39.11]	1.20 [30.48]	2.34 [59.43]	3.15 [80.01]	2.25 [57.15]	5-40 UNC
24	25	24	16	20	1.438-18 UNEF		1.66 [42.16]	1.31 [33.27]	2.44 [61.97]	3.26 [82.80]	2.41 [61.21]	5-40 UNC

TABLE II

ORDER NO.	G MAX DIM	H MAX DIM	I MAX DIM	J MAX DIM
08	1.12 [28.44]	1.16 [29.46]	.34 [8.63]	0.96 [24.38]
10	1.24 [31.49]	1.16 [29.46]	.32 [8.12]	0.99 [24.14]
12	1.30 [33.02]	1.16 [29.46]	.38 [9.65]	1.09 [27.68]
14	1.37 [34.79]	1.16 [29.46]	.48 [12.19]	1.15 [29.21]
16	1.46 [37.08]	1.16 [29.46]	.56 [14.22]	1.33 [33.78]
18	1.64 [41.65]	1.16 [29.46]	.50 [12.70]	1.42 [36.06]
20	1.67 [42.41]	1.17 [29.71]	.59 [14.98]	1.53 [38.86]
22	1.95 [49.53]	1.15 [29.21]	.59 [14.98]	1.65 [41.91]
24	1.95 [49.53]	1.12 [28.44]	.64 [16.25]	1.75 [44.45]

TABLE III

ENTRY SIZE	Z +.010 -.020	S DIA
04	.250 [6.35]	.376 [9.55] .370 [9.40]
06	.375 [9.53]	.501 [12.73] .495 [12.57]
08	.500 [12.7]	.626 [15.90] .619 [15.72]
10	.625 [15.88]	.752 [19.10] .742 [18.85]
12	.750 [19.05]	.877 [22.28] .867 [22.02]
14	.875 [22.23]	1.002 [25.45] .991 [25.17]
16	1.000 [25.4]	1.127 [28.63] 1.116 [28.35]
18	1.125 [28.58]	1.252 [31.80] 1.241 [31.52]
20	1.250 [31.75]	1.377 [34.98] 1.366 [34.70]

Raychem Adapters

CUSTOMER DRAWING

If this document is printed it becomes uncontrolled. Check for the latest revision

SIZE A	CAGE CODE: 06090	DWG. NO. SLC41	REV A
SCALE: NONE		SHEET 3 OF 3	